



For product questions contact:
Sunbeam Consumer Service

USA : 1.800.334.0759
Canada : 1.800.667.8623

www.oster.com

© 2008 Sunbeam Products, Inc. doing business as Jarden Consumer Solutions. All rights reserved.
Distributed by Sunbeam Products, Inc. doing business as
Jarden Consumer Solutions, Boca Raton, Florida 33431.

SPR092807

Pour les questions de produit:
Sunbeam Consumer Service

États-Unis : 1.800.334.0759
Canada : 1.800.667.8623

www.oster.com

© 2008 Sunbeam Products, Inc. faisant affaires sous le nom de Jarden Consumer Solutions.
Tous droits réservés. Distribué par Sunbeam Products, Inc. faisant affaires sous le nom de
Jarden Consumer Solutions, Boca Raton, Florida 33431.

Para preguntas sobre los productos llame:
Sunbeam Consumer Service

EE.UU. : 1.800.334.0759
Canadá : 1.800.667.8623

www.oster.com

© 2008 Sunbeam Products, Inc. operando el nombre de Jarden Consumer Solutions.
Todos los derechos reservados. Distribuido por Sunbeam Products, Inc. operando el nombre de
Jarden Consumer Solutions, Boca Raton, Florida 33431.

Printed in China Imprimé en Chine Impresso in China

English-6	English-5	English-4	English-3	English-2	English-1
-----------	-----------	-----------	-----------	-----------	-----------

WARNING: Never insert your fingers or metallic utensils into the bread slots.
Tip: To remove food jammed in the bread slots, unplug the toaster and remove the food once the toaster has cooled down.

4. Carefully remove the toasted food from the bread slots.
Indicator lights will turn off.

After the desired level of darkness has been reached, the food will pop up automatically. The Bread Carriage Lever will return to its original position and the indicator lights will turn off.

4. Select a location for the toaster. The location should be:
plugging in the toaster's power cord.

3. Make certain that the Bread Carriage Lever is in the uppermost position before plugging in the Removable Crumb Tray into the crumb tray slot.

2. Insert the Removable Crumb Tray into the crumb tray slot, toaster with a damp cloth.

1. Lighter/Darker Knob

7. Cancel Button

8. Extra-Wide Bread Slots

9. Stainless Steel Bread Guides

10. Bread Carriage Lever

11. Toast Lift

12. Removable Crumb Tray

13. Retractable Cord Storage

14. Power Cord

6. Warm Button with Indicator Light
(6340 & 6341 models only)

5. Frozen Button with Indicator Light
(6340 & 6341 models only)

4. Bagel Button with Indicator Light

3. Pastry Button with Indicator Light
(6340 & 6341 models only)

2. Waffle Button with Indicator Light
(6340 & 6341 models only)

1. Lighter/Darker Knob

PLEASE DO NOT RETURN THIS PRODUCT TO ANY OF THESE ADDRESSES OR TO THE PLACE OF PURCHASE

WARNING: Toasted food can be very hot. Handle with care.
Tip: Your toaster has been designed for optimum toast balance. Some elements on the inside of normal toaster may glow more brightly than others when in use.

3. Press the Bread Carriage Lever until it locks.
The Auto-Adjusting Bread Guides will automatically center the food for even browning.

2. Select the desired darkness setting by turning the Lighter/Darker knob.
The Auto-Adjusting Bread Guides will automatically center the food for even browning.

1. Remove any stickers from the surface of the toaster and wipe the outside of your toaster with a damp cloth.

2. Insert the Removable Crumb Tray into the crumb tray slot, toaster with a damp cloth.

3. Make certain that the Bread Carriage Lever is in the uppermost position before plugging in the toaster's power cord.

4. Select a location for the toaster. The location should be:
plugging in the toaster's power cord.

At least three inches away from walls or the back of countertops.
At least one foot away from any cabinet or shelving that may be above the toaster.
Away from flammable materials, such as curtains and wall fabric.

Warm Button with Indicator Light
(6340 & 6341 models only)

6. Warm Button with Indicator Light
(6340 & 6341 models only)

5. Frozen Button with Indicator Light
(6340 & 6341 models only)

4. Bagel Button with Indicator Light

3. Pastry Button with Indicator Light
(6340 & 6341 models only)

2. Waffle Button with Indicator Light
(6340 & 6341 models only)

1. Lighter/Darker Knob

How to Obtain Warranty Service
In the U.S.A., this warranty is offered by Sunbeam Products, Inc. doing business as Jarden Consumer Solutions, located at 2008 Sunbeam Products, Inc. doing business as Jarden Consumer Solutions, Boca Raton, Florida 33431. In Canada, this warranty is offered by Sunbeam (Canada) Limited, doing business as Jarden Consumer Solutions, located at 2008 Sunbeam Products, Inc. doing business as Jarden Consumer Solutions, 4000 Sheppard Avenue East, Scarborough, Ontario M1S 1T1. If you have any other problem or claim in connection with this product, please write to Consumer Service Department.

Cleaning Your Toaster
1. Unplug and allow the toaster to cool.
2. Once cool, wipe the outside of your toaster with a damp cloth.

Using the Cancel Function
1. Press the Cancel button. The toaster will stop toasting immediately and the food will pop up automatically.

Using the Warm Function
4. Press the Bread Carriage Lever.
3. Select the desired darkness setting by turning the Lighter/Darker knob.
2. Press the Frozen button. If no food is selected, the toaster will operate in Toast mode. If no food is selected, the Warm indicator will heat the bread slots.

To toast and toast hot food:
1. Place food into the bread carriage.
2. Press the Frozen button. If the food is frozen, then select your food type by pressing the appropriate button. If no food is selected, the toaster will operate in Toast mode.

Using the Frozen Food Function
1. Press the Warm button. If desired, press food select. If no food is selected the toaster will operate in Toast mode. If no food is selected, the Warm indicator will heat the bread slots.

Using the Food Select Feature (Bagel, Waffle, Pastry)
1. Press the Bagel indicator will allow the time needed to toast bagels according to the shade level selected.
2. Press the Waffle indicator will allow the time needed to toast waffles according to the shade level selected.
3. Press the Pastry indicator will allow the time needed to adjust the time needed to toast pastries according to the shade level selected.

Adjusting the Power Cord Length
1. Without inserting any food into the bread slots, push the Bread Lever all the way down until it locks. *(The carriage will not lock if the toaster is not plugged into a power source.)* The first toasting process will preheat the new elements and burn off for this burn off to create an odor. Your OSTER® Toaster is now ready for use.

Learning About Your Toaster
1. Lighter/Darker Knob – Turn the knob to select how dark you would like your food to toast. 1 is lightest, 7 is darkest.
2. Waffle Button with Indicator Light *(6340 & 6341)* – Press this button if you want to toast a waffle. The indicator will light to confirm that “Waffle” is selected.
3. Pastry Button with Indicator Light *(6340 & 6341)* – Press this button if you want to toast a pastry. The indicator will light to confirm that “Pastry” is selected.
4. Bagel Button with Indicator Light – Press this button if you want to toast a bagel. The indicator will light to confirm that “Bagel” is selected.

Preparing to Use Your Toaster for the First Time
1. Remove any stickers from the surface of the toaster and wipe the outside of your toaster with a damp cloth.
2. Insert the Removable Crumb Tray into the crumb tray slot, toaster with a damp cloth.
3. Make certain that the Bread Carriage Lever is in the uppermost position before plugging in the toaster's power cord.
4. Select a location for the toaster. The location should be:
plugging in the toaster's power cord.

Retractable Cord Storage – Allows you to store extra cord in the toaster and out of the way.
13. Retractable Cord Storage – Allows you to store extra cord in the toaster and out of the way.

Fullly Removable Crumb Tray – For convenient and easy cleanup.
12. Fully Removable Crumb Tray – For convenient and easy cleanup.

PRECAUCIONES IMPORTANTES

Obedezca siempre las precauciones elementales de seguridad cuando vaya a hacer uso de su tostadora, incluyendo las siguientes:

LEA TODAS LAS INSTRUCCIONES ANTES DEL USO

• Desenchufe la tostadora del tomacorrientes cuando no se encuentre en servicio y antes de limpiarla. Antes de poner o quitar alguna pieza, espere hasta que la tostadora se enfríe.

• No toque las superficies calientes. Las piezas de metal pueden volverse calientes. Utilice las asideras o las perillas.

• Para evitar descarga eléctrica, desenchufe la tostadora antes de limpiarla.

• Para protegerse contra descargas eléctricas, no sumerja el cordón, enchufe o tostadora en agua u otros líquidos calientes.

• No permita que el cordón cuelgue sobre el borde de la mesa o del mostrador, ni que entre en contacto con las superficies calientes.

• Jamás permita que los enseres queden desatendidos durante el uso.

• Los niños y las personas incapacitadas no deben hacer uso de estos enseres. Supervise cuidadosamente a los niños de mayor edad.

• Para desconectar, presione “cancel” y luego retire el enchufe del tomacorriente. No hale el cordón.

• No opere ni coloque la tostadora:

– Sobre superficies que no sean termorresistentes ni inflamables.

– En o cerca de una hornalla eléctrica o a gas caliente.

– Dentro de un horno calentado o microondas.

• Para reducir el riesgo de los incendios o los choques eléctricos, no inserte:

– Utensilios ni alimentos cubiertos en papel aluminio, ni de grandes dimensiones, en la tostadora.

– Los dedos ni utensilios de metal en la tostadora cuando el aparato se encuentre enchufado.

• No intente desalojar alimentos cuando la tostadora esté enchufada.

• No utilice alimentos cuyas cubiertas o rellenos puedan gotear a consecuencia del calentamiento. Tales acumulaciones dentro de la tostadora crean condiciones poco sanitarias así como la posibilidad de incendios o malfuncionamientos de la tostadora. Elimine con frecuencia las migas acumuladas para evitar el riesgo de incendios o el malfuncionamiento del tostadora. No opere la tostadora sin haber antes devuelto la bandeja para migas a su posición correcta.

• No opere ningún aparato que tenga un cordón o enchufe dañado, o después de que se haya producido un malfuncionamiento en el aparato o que haya sido dañado en cualquier forma. Devuelva la tostadora al centro de servicio autorizado de Sunbeam para su inspección, ajuste, reparación o cualquier ajuste electromecánico.

• No utilice la tostadora a la intemperie o para usos comerciales: esta tostadora es para el uso doméstico exclusivamente.

• Sólo utilice este aparato para su uso original conforme a lo descrito en este manual; no utilice aditamentos que no hayan sido recomendados por el fabricante, ya que pueden producir lesionamientos.

• Puede producirse un incendio si se cubre la tostadora o si entra en contacto con material inflamable, incluyendo cortinas, tapicería, paredes y afines mientras que se encuentre funcionando.

• El mando elevador de tostadas debe estar en la posición elevada antes de conectar o desconectar el enchufe de la pared.

Instrucciones para el Cordón de Potencia

Obedezca las siguientes instrucciones para asegurar el uso correcto del cordón de potencia.

• Esta tostadora cuenta con una zona de cordón de potencia que le permite ajustarlo a la longitud correcta para su situación. Trate de colocar la tostadora cerca del tomacorrientes apropiado para disminuir los riesgos asociados con los cordones de potencia *(tales como enredarse con un cordón de potencia de longitud excesiva o tropezarse sobre él)*.

• Si resulta necesario, se puede hacer uso de una extensión eléctrica, pero asegúrese de seguir estas direcciones:

– La notación eléctrica de la extensión eléctrica debe ser de un mínimo de 120/1270 voltios, 60 Hz.

– La extensión eléctrica debe estar colocada de tal manera que no se envuelva sobre el mostrador o la superficie de la mesa, ni que tampoco quede al alcance de los niños, ni que tampoco pueda tropezarse sobre ella.

• Para los tostadores cuya compra se efectúa en EE.UU. y el Canadá: este aparato cuenta con un enchufe polarizado *(una hoja es más ancha que la otra)*. Para disminuir el riesgo de los choques eléctricos, dicho enchufe se adaptará a un tomacorrientes polarizado de una manera solamente. Si no puede insertar el enchufe en el tomacorrientes completamente, invierta la dirección del enchufe. Si aún no cabe, comuníquese con un electricista experto. No modifique el enchufe.

• No tire, fuerza ni abuse el cordón de potencia.

• No opere ningún aparato eléctrico que tenga un cordón o enchufe dañado, ni después de que se haya producido el malfuncio namiento de la unidad, ni que se haya caído o dañado en cualquier manera.

• Desenchufe la tostadora cuando ésta no se encuentre en uso y antes de limpiarla.

• No envuelva el cordón de potencia alrededor del cuerpo de la tostadora ni durante ni después del uso.

ESTA UNIDAD ES SÓLO PARA USO DOMÉSTICO

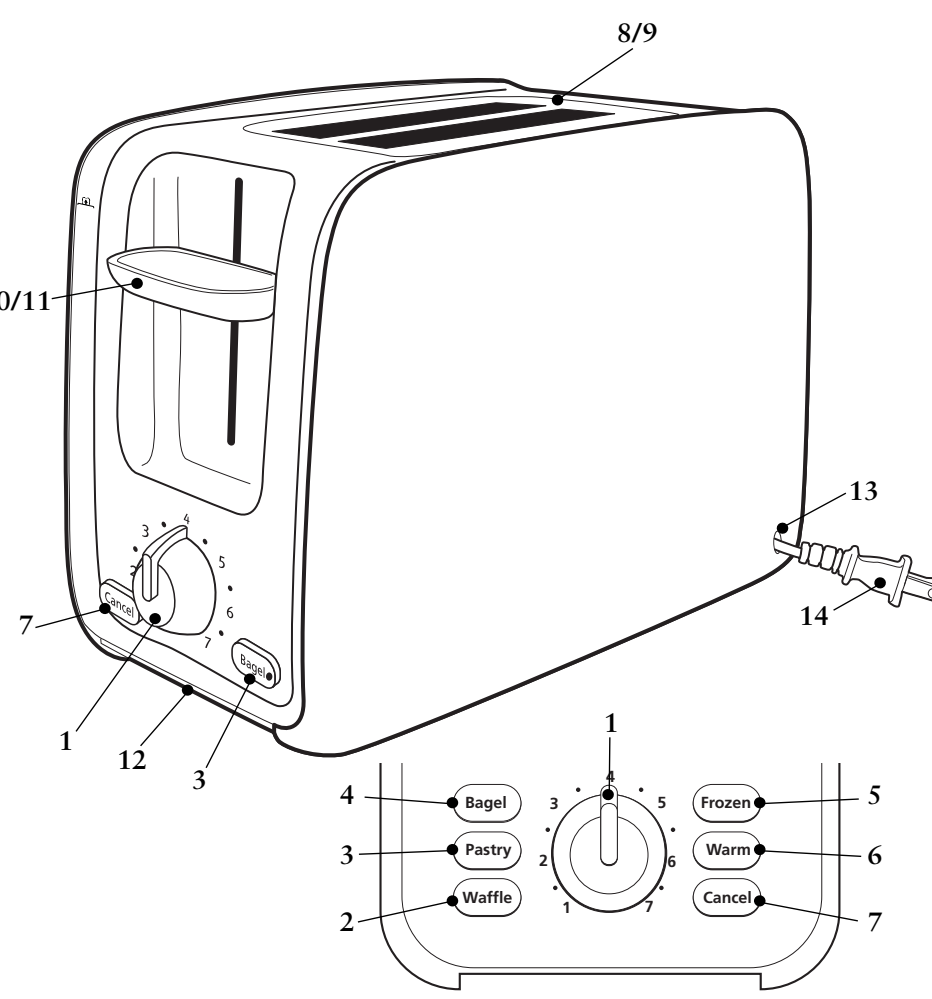
GUARDE ESTAS INSTRUCCIONES

Uso de un Cable Eléctrico Corto

Se incluye un cable de tensión corto para evitar que se enrede o que cause tropezos. Un cable de extensión puede usarse con cuidado. Si se usa una cable de extensión, la potencia eléctrica marcada en el cable de extensión debe ser por lo menos igual o mayor a la potencia eléctrica del aparato. El cable de extensión debe colocarse de manera que no cuelgue del mostrador o de la mesa, donde pueda causar tropezos accidentalmente.

Bienvenido

¡Felicitaciones por haber efectuado la compra de una Tostadora OSTER®! Para aprender más sobre los productos de OSTER®, visítenos por favor en www.oster.com.



- Selector y Piloto de Tostadora
- Botón de “Waffle” con Luz Indicadora *(6340 & 6341 modelos)*
- Botón “Pastry” con Luz Indicadora *(6340 & 6341 modelos)*
- Botón de Rosca “Bagel” con Luz Indicadora
- Botón de “Frozen” (Congelados) con Luz Indicadora *(6340 & 6341 modelos)*
- Botón de “Warm” (Calentar) con Luz Indicadora *(6340 & 6341 modelos)*
- Botón de Anulación
- Ranuras Extra Anchas
- Guías para Rebanadas, Hechas de Acero Inoxidable
- Mando de Resistencias del Pan
- Elevador de Tostadas
- Bandeja para migas, totalmente extraíble
- Área para guardar el cordón retractable
- Cordón de Potencia

1. Plug the Power Cord into 120 Volt, 60 Hz AC outlet.

2. Warm Button with Indicator Light
(6340 & 6341 models only)

3. Pastry Button with Indicator Light
(6340 & 6341 models only)

4. Bagel Button with Indicator Light

5. Frozen Button with Indicator Light
(6340 & 6341 models only)

6. Warm Button with Indicator Light
(6340 & 6341 models only)

7. Cancel Button

8. Extra-Wide Bread Slots

9. Stainless Steel Bread Guides

10. Bread Carriage Lever

11. Toast Lift

12. Removable Crumb Tray

13. Retractable Cord Storage

14. Power Cord

Preparing to Use Your Toaster for the First Time
1. Remove any stickers from the surface of the toaster and wipe the outside of your toaster with a damp cloth.
2. Insert the Removable Crumb Tray into the crumb tray slot, toaster with a damp cloth.
3. Make certain that the Bread Carriage Lever is in the uppermost position before plugging in the toaster's power cord.
4. Select a location for the toaster. The location should be:
plugging in the toaster's power cord.

At least three inches away from walls or the back of countertops.
At least one foot away from any cabinet or shelving that may be above the toaster.
Away from flammable materials, such as curtains and wall fabric.

Warm Button with Indicator Light
(6340 & 6341 models only)

6. Warm Button with Indicator Light
(6340 & 6341 models only)

5. Frozen Button with Indicator Light
(6340 & 6341 models only)

4. Bagel Button with Indicator Light

3. Pastry Button with Indicator Light
(6340 & 6341 models only)

2. Waffle Button with Indicator Light
(6340 & 6341 models only)

1. Lighter/Darker Knob

How to Obtain Warranty Service
In the U.S.A., this warranty is offered by Sunbeam Products, Inc. doing business as Jarden Consumer Solutions, located at 2008 Sunbeam Products, Inc. doing business as Jarden Consumer Solutions, Boca Raton, Florida 33431. In Canada, this warranty is offered by Sunbeam (Canada) Limited, doing business as Jarden Consumer Solutions, located at 2008 Sunbeam Products, Inc. doing business as Jarden Consumer Solutions, 4000 Sheppard Avenue East, Scarborough, Ontario M1S 1T1. If you have any other problem or claim in connection with this product, please write to Consumer Service Department.

Cleaning Your Toaster
1. Unplug and allow the toaster to cool.
2. Once cool, wipe the outside of your toaster with a damp cloth.

Using the Cancel Function
1. Press the Cancel button. The toaster will stop toasting immediately and the food will pop up automatically.

Using the Warm Function
4. Press the Bread Carriage Lever.
3. Select the desired darkness setting by turning the Lighter/Darker knob.
2. Press the Frozen button. If no food is selected, the toaster will operate in Toast mode. If no food is selected, the Warm indicator will heat the bread slots.

To toast and toast hot food:
1. Place food into the bread carriage.
2. Press the Frozen button. If the food is frozen, then select your food type by pressing the appropriate button. If no food is selected, the toaster will operate in Toast mode.

Using the Frozen Food Function
1. Press the Warm button. If desired, press food select. If no food is selected the toaster will operate in Toast mode. If no food is selected, the Warm indicator will heat the bread slots.

Using the Food Select Feature (Bagel, Waffle, Pastry)
1. Press the Bagel indicator will allow the time needed to toast bagels according to the shade level selected.
2. Press the Waffle indicator will allow the time needed to toast waffles according to the shade level selected.
3. Press the Pastry indicator will allow the time needed to adjust the time needed to toast pastries according to the shade level selected.

Adjusting the Power Cord Length
1. Without inserting any food into the bread slots, push the Bread Lever all the way down until it locks. *(The carriage will not lock if the toaster is not plugged into a power source.)* The first toasting process will preheat the new elements and burn off for this burn off to create an odor. Your OSTER® Toaster is now ready for use.

Learning About Your Toaster
1. Lighter/Darker Knob – Turn the knob to select how dark you would like your food to toast. 1 is lightest, 7 is darkest.
2. Waffle Button with Indicator Light *(6340 & 6341)* – Press this button if you want to toast a waffle. The indicator will light to confirm that “Waffle” is selected.
3. Pastry Button with Indicator Light *(6340 & 6341)* – Press this button if you want to toast a pastry. The indicator will light to confirm that “Pastry” is selected.
4. Bagel Button with Indicator Light – Press this button if you want to toast a bagel. The indicator will light to confirm that “Bagel” is selected.

Preparing to Use Your Toaster for the First Time
1. Remove any stickers from the surface of the toaster and wipe the outside of your toaster with a damp cloth.
2. Insert the Removable Crumb Tray into the crumb tray slot, toaster with a damp cloth.
3. Make certain that the Bread Carriage Lever is in the uppermost position before plugging in the toaster's power cord.
4. Select a location for the toaster. The location should be:
plugging in the toaster's power cord.

Retractable Cord Storage – Allows you to store extra cord in the toaster and out of the way.
13. Retractable Cord Storage – Allows you to store extra cord in the toaster and out of the way.

Fullly Removable Crumb Tray – For convenient and easy cleanup.
12. Fully Removable Crumb Tray – For convenient and easy cleanup.

Fullly Removable Crumb Tray – For convenient and easy cleanup.
12. Fully Removable Crumb Tray – For convenient and easy cleanup.

Conociendo Su Tostadora

Si no se selecciona ningún botón de función o alimento, el ajuste predeterminado es “Toast” (Tostar).

1. **Selector y Piloto de Tostadora** – Gire la perilla para seleccionar el grado al cual le gustaria tostar sus alimentos: el número es el más ligero, y el número siete es el más oscuro.

2. **Botón de “Waffle” con Luz Indicadora *(6340 & 6341)*** – Presione este botón si usted desea tostar un waffle. Se encenderá el indicador para confirmar que se ha seleccionado “Waffle”.

3. **Botón “Pastry” con Luz Indicadora *(6340 & 6341)*** – Presione este botón si desea tostar artículos de pastelería. El indicador “Pastry” se encenderá. Esta opción le permitirá a la tostadora ajustar el tiempo necesario para tostar pastelería de acuerdo con el nivel de dorado seleccionado.

4. **Botón de “Bagel” con Luz Indicadora** – Presione este botón si usted desea tostar un bagel. Se encenderá el indicador para confirmar que se ha seleccionado “Bagel”.

5. **Botón de “Frozen” (Congelados) con Luz Indicadora *(6340 & 6341)*** – Presione este botón si sus alimentos están congelados. Utilice este botón conjuntamente con los botones de “Bagel”, “Waffle”, “Toast” y “Pastry”. La tostadora descongelará automáticamente sus alimentos y luego los tostará fácilmente en un solo paso. El botón se encenderá al presionarlo.

6. **Botón “Warm” (Calentar) con Luz Indicadora *(6340 & 6341)*** – Presione este botón para calentar su alimento tostado. Use este botón en combinación con los botones de “Bagel”, “Waffle”, “Toast” y “Pastry”. El indicador se iluminará para confirmar que el botón “Warm” se ha seleccionado.

7. **Botón de Anulación** – Presiónelo para hacer saltar los alimentos de la tostadora y cancelar el proceso de tostado.

8. **Ranuras Extra Anchas** – Las ranuras anchas (1.3 pulgadas) le permiten tostar “bagels”, pan casero y bollitos.

9. **Guías para Rebanadas Dobles, Autovelantes, Hechas de Acero Inoxidable** – Se ajustan automáticamente al grosor del pan.

10. **Mando de Resistencias del Pan** – Presiónelo para empezar a tostar sus alimentos.

11. **Elevador de Tostadas** – Presione el mando de resistencias del pan para hacer saltar los alimentos fuera de la tostadora.

12. **Bandeja para migas, totalmente extraíble** – Para una limpieza conveniente y fácil.

13. **Área para guardar el cordón retractable** – Le permite guardar el cordón extra en la tostadora para que no estorbe.

14. **Cordón de Potencia**

1. Plug the Power Cord into 120 Volt, 60 Hz AC outlet.

2. Warm Button with Indicator Light
(6340 & 6341 models only)

3. Pastry Button with Indicator Light
(6340 & 6341 models only)

4. Bagel Button with Indicator Light

5. Frozen Button with Indicator Light
(6340 & 6341 models only)

6. Warm Button with Indicator Light
(6340 & 6341 models only)

7. Cancel Button

8. Extra-Wide Bread Slots

9. Stainless Steel Bread Guides

10. Bread Carriage Lever

11. Toast Lift

12. Removable Crumb Tray

13. Retractable Cord Storage

14. Power Cord

Preparing to Use Your Toaster for the First Time
1. Remove any stickers from the surface of the toaster and wipe the outside of your toaster with a damp cloth.
2. Insert the Removable Crumb Tray into the crumb tray slot, toaster with a damp cloth.
3. Make certain that the Bread Carriage Lever is in the uppermost position before plugging in the toaster's power cord.
4. Select a location for the toaster. The location should be:
plugging in the toaster's power cord.

At least three inches away from walls or the back of countertops.
At least one foot away from any cabinet or shelving that may be above the toaster.
Away from flammable materials, such as curtains and wall fabric.

Warm Button with Indicator Light
(6340 & 6341 models only)

6. Warm Button with Indicator Light
(6340 & 6341 models only)

5. Frozen Button with Indicator Light
(6340 & 6341 models only)

4. Bagel Button with Indicator Light

3. Pastry Button with Indicator Light
(6340 & 6341 models only)

2. Waffle Button with Indicator Light
(6340 & 6341 models only)

1. Lighter/Darker Knob

How to Obtain Warranty Service
In the U.S.A., this warranty is offered by Sunbeam Products, Inc. doing business as Jarden Consumer Solutions, located at 2008 Sunbeam Products, Inc. doing business as Jarden Consumer Solutions, Boca Raton, Florida 33431. In Canada, this warranty is offered by Sunbeam (Canada) Limited, doing business as Jarden Consumer Solutions, located at 2008 Sunbeam Products, Inc. doing business as Jarden Consumer Solutions, 4000 Sheppard Avenue East, Scarborough, Ontario M1S 1T1. If you have any other problem or claim in connection with this product, please write to Consumer Service Department.

Cleaning Your Toaster
1. Unplug and allow the toaster to cool.
2. Once cool, wipe the outside of your toaster with a damp cloth.

Using the Cancel Function
1. Press the Cancel button. The toaster will stop toasting immediately and the food will pop up automatically.

Using the Warm Function
4. Press the Bread Carriage Lever.
3. Select the desired darkness setting by turning the Lighter/Darker knob.
2. Press the Frozen button. If no food is selected, the toaster will operate in Toast mode. If no food is selected, the Warm indicator will heat the bread slots.

To toast and toast hot food:
1. Place food into the bread carriage.
2. Press the Frozen button. If the food is frozen, then select your food type by pressing the appropriate button. If no food is selected, the toaster will operate in Toast mode.

Using the Frozen Food Function
1. Press the Warm button. If desired, press food select. If no food is selected the toaster will operate in Toast mode. If no food is selected, the Warm indicator will heat the bread slots.

Using the Food Select Feature (Bagel, Waffle, Pastry)
1. Press the Bagel indicator will allow the time needed to toast bagels according to the shade level selected.
2. Press the Waffle indicator will allow the time needed to toast waffles according to the shade level selected.
3. Press the Pastry indicator will allow the time needed to adjust the time needed to toast pastries according to the shade level selected.

Adjusting the Power Cord Length
1. Without inserting any food into the bread slots, push the Bread Lever all the way down until it locks. *(The carriage will not lock if the toaster is not plugged into a power source.)* The first toasting process will preheat the new elements and burn off for this burn off to create an odor. Your OSTER® Toaster is now ready for use.

Learning About Your Toaster
1. Lighter/Darker Knob – Turn the knob to select how dark you would like your food to toast. 1 is lightest, 7 is darkest.
2. Waffle Button with Indicator Light *(6340 & 6341)* – Press this button if you want to toast a waffle. The indicator will light to confirm that “Waffle” is selected.
3. Pastry Button with Indicator Light *(6340 & 6341)* – Press this button if you want to toast a pastry. The indicator will light to confirm that “Pastry” is selected.
4. Bagel Button with Indicator Light – Press this button if you want to toast a bagel. The indicator will light to confirm that “Bagel” is selected.

Preparing to Use Your Toaster for the First Time
1. Remove any stickers from the surface of the toaster and wipe the outside of your toaster with a damp cloth.
2. Insert the Removable Crumb Tray into the crumb tray slot, toaster with a damp cloth.
3. Make certain that the Bread Carriage Lever is in the uppermost position before plugging in the toaster's power cord.
4. Select a location for the toaster. The location should be:
plugging in the toaster's power cord.

Retractable Cord Storage – Allows you to store extra cord in the toaster and out of the way.
13. Retractable Cord Storage – Allows you to store extra cord in the toaster and out of the way.

Fullly Removable Crumb Tray – For convenient and easy cleanup.
12. Fully Removable Crumb Tray – For convenient and easy cleanup.



User Manual **Toaster**
Manual de Instrucciones **Tostadora**
Manuel d'Instructions **Grille-pain**

**MODELS/MODÈLES
MODELOS 3905, 6340, 6341, 6344, 6346**



Visit us at www.oster.com P.N. 122453

English-1

SHORT POWER SUPPLY CORD INSTRUCTIONS
An extension cord may be used if an extension cord is used, the electrical rating of the cord must be at least as great as the electrical rating of the appliance. The extension cord should be arranged so that it will not drape over the countertop or tabletop where it can be pulled on by children or tripped over unintentionally.

THIS UNIT IS FOR HOUSEHOLD USE ONLY
This toaster is designed for household use only. It is not intended for use in commercial establishments.

1. Do not use the power cord around the main body of the toaster during

