

Oster®

For product questions contact:

Sunbeam Consumer Service

USA : 1.800.334.0759

Canada : 1.800.667.8623

www.oster.com

©2009 Sunbeam Products, Inc. doing business as Jarden Consumer Solutions. All rights reserved. Distributed by Sunbeam Products, Inc. doing business as Jarden Consumer Solutions, Boca Raton, Florida 33431.

Para preguntas sobre los productos llame:

Sunbeam Consumer Service

Canada : 1.800.334.0759

EE.UU. : 1.800.667.8623

www.oster.com

©2009 Sunbeam Products, Inc. operando bajo el nombre de Jarden Consumer Solutions. Todos los derechos reservados. Distribuido por Sunbeam Products, Inc. operando bajo el nombre de Jarden Consumer Solutions, Boca Raton, Florida 33431.

SPR-101209

Printed in China

P.N. 137172
Impreso en China

Oster®

Electric Removable Griddle

Plancha Eléctrica Extraíble

User Guide/ Guía del Usuario:

CKSTGRRD25



Safety
Seguridad



How to use
Cómo usar



Cleaning
Cuidado y Limpieza



Warranty
Garantía

www.oster.com

IMPORTANT SAFEGUARDS

When using electrical appliances, basic safety precautions should always be followed, including the following:

1. Read all instructions before using.
2. Do not touch hot surfaces. Use handles or knobs.
3. To protect against electrical shock, do not immerse HEATING BASE and cord in water or other liquids.
4. Close supervision is necessary when any appliance is used near children. This appliance is not to be used by children.
5. Unplug from outlet when not in use and before cleaning. Allow to cool before putting on or taking off parts, and before cleaning the appliance.
6. Do not operate any appliance with a damaged cord or plug or after the appliance malfunctions or has been damaged in any manner. Call Customer Service (see warranty) to return for examination, repair, or adjustment.
7. The use of accessory attachments not recommended by manufacturer may cause injuries.
8. Do not use outdoors.
9. Do not let cord hang over edge of table or counter, or touch heated surfaces.
10. Do not place the assembled appliance or GRIDDLE PLATE on or near a hot gas or electric burner. Do not place the assembled appliance in a heated oven.
11. Extreme caution must be used when moving appliance containing hot oil or other hot liquids.
12. Do not operate the griddle unless fully assembled. Place GRIDDLE PLATE on HEATING BASE first, then plug cord into wall outlet.
13. Do not use appliance for other than intended use.
14. To disconnect, prior to removing GRIDDLE PLATE from HEATING BASE, press POWER BUTTON to shut off griddle and remove plug from wall outlet.
15. Oven mitts are required when handling the GRIDDLE PLATE or to remove cooked food from the GRIDDLE PLATE.

THIS UNIT IS INTENDED FOR HOUSEHOLD USE ONLY.

SAVE THESE INSTRUCTIONS

THIS APPLIANCE IS FOR HOUSEHOLD USE ONLY. No user-serviceable parts inside. Do not attempt to service this product. A short power supply cord is provided to reduce the hazards resulting from entanglement or tripping over a longer cord. AN EXTENSION CORD MAY BE USED WITH CARE; HOWEVER, THE MARKED ELECTRICAL RATING SHOULD BE AT LEAST AS GREAT AS THE ELECTRICAL RATING OF THE GRIDDLE. The extension cord should not be allowed to drape over the counter or tabletop where it can be pulled on by children or tripped over.

To reduce the risk of electrical shock, this appliance has a polarized plug (one blade is wider than the other). This plug fits a polarized outlet only one way. This is a safety feature intended to help reduce the risk of electrical shock. If the plug does not fit fully into the outlet, reverse the plug. If it still does not fit, contact a qualified electrician. Do not attempt to defeat this safety feature.

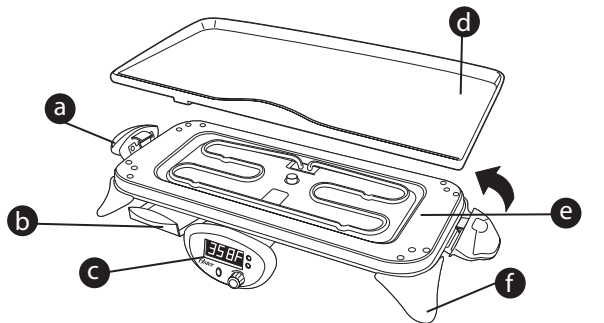
ELECTRIC POWER: If electric circuit is overloaded with other appliances, griddle may not operate properly. Griddle must be operated on a separate circuit from other operating appliances.

CAUTION: Some countertops are more sensitive to heat, use care not to place griddle on surfaces where heat may cause damage.

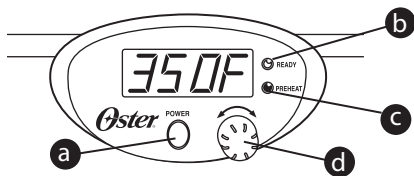
Thank you for purchasing the OSTER® Electric Removable Griddle. Before you use this product for the first time, please take a few moments to read these instructions and keep it for reference. Pay particular attention to the Safety Instructions provided. Please review the product service and warranty statements. To learn more about Oster® products, please visit us at www.oster.com or call us at 1-800-334-0759.



LEARNING ABOUT YOUR ELECTRIC GRIDDLE



- a** Side Locking Handle
- b** Grease Tray
- c** Temperature Control Panel
- d** Removable Griddle Plate
- e** Heating Base
- f** Legs



- a** Power
- b** Ready Light
- c** Preheat Light
- d** Control Knob



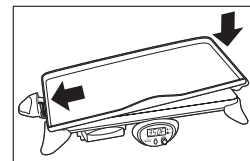
HOW TO:

Before first use

Wash the Removable Griddle Plate in warm soapy water or in the dishwasher and dry completely.

CAUTION: Do not immerse Heating Base in water or other liquids.

- 1 Set the griddle on a flat, dry, heat resistant surface.
- 2 Condition the non-stick cooking surface with vegetable oil, wiping off any excess with a paper towel.
- 3 Insert the Grease Tray into guides under the front of the griddle.



- 4 Make sure that the Griddle Plate is sitting securely on the Heating Base. If the Griddle Plate is not secure on the Heating Base, the product may not function properly. Make sure that the locking handles are locked securely to the sides of the Griddle Plate.
- 5 Plug griddle into standard 120 V AC outlet. Press Power Button. The display will show a default temperature of 350°F; the Preheat Light will illuminate.
- 6 To change the temperature, turn Control Knob to desired setting. Turning the Control Knob clockwise will increase the temperature. Turning the Control Knob counter-clockwise will decrease the temperature. Temperature can be adjusted from 150°F to 425°F in 25° increments.
- 7 As the griddle heats up, the display will show the actual temperature of the griddle as it climbs to reach the set temperature.
- 8 When the desired temperature has been reached, the Preheat Light will turn off, the Ready Light will turn on.



NOTE: If you adjust the temperature during cooking, the Preheat Light will turn on. When the new temperature is reached, the Preheat Light will turn off and the Ready Light will turn on again.

- 9 Do not remove the griddle plate until it has had time to fully cool down.

NOTE: It may be necessary to scrape grease into the Grease Tray. Always use wooden or nylon utensils to avoid scratching the Non-Stick Cooking Surface.

CAUTION: Grease may be hot!

NOTE: When cooking consecutive batches of bacon or other high fat foods, it may be necessary to empty the Grease Tray to avoid grease overflowing onto the countertop.

Cooking Time and Temperature

FOOD	TEMP.*	TIME	DIRECTIONS
EGGS, fried	300° F	3 to 5 min.	Turn halfway into cooking time.
BACON	350° F	8 to 12 min.	Turn often.
SAUSAGE	350° F	20 to 30 min.	Turn halfway into cooking time.
FRENCH TOAST	350° F	6 to 10 min.	Turn halfway into cooking time.
HAMBURGER	350° F	8 to 14 min.	Turn halfway into cooking time.
HAM SLICES	350° F	14 to 18 min.	Turn halfway into cooking time.
SANDWICHES	350° F	6 to 10 min.	Butter outside and brown both sides.
PORK CHOPS	350° F	20 to 30 min.	Brown both sides, reduce temp. to 250° F. Turn halfway into cooking time.
POTATOES	350° F	10 to 12 min.	Turn halfway into cooking time.
STEAKS			
Rare	400° F	4 to 6 min.	Turn halfway into cooking time.
Medium	400° F	7 to 12 min.	Turn halfway into cooking time.
Well Done	400° F	13 to 18 min.	Turn halfway into cooking time.
PANCAKES	375° F	2 to 5 min.	Pour batter onto griddle. When bubbles appear on top, turn.

*Preheat Griddle until Ready Light comes on

NOTE: The cooking temperature and times listed in this user manual are estimates. Adjust the cooking temperature and time slightly up or down to achieve the results you prefer.



CARE & CLEANING

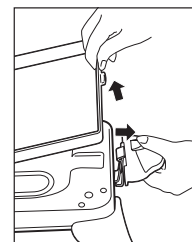
This appliance should be cleaned after every use.

Griddle is hot. Handle carefully.

- 1 When cooking is complete, press the Power button to shut off unit. Unplug the cord from the outlet and allow unit to cool before cleaning.

- 2 Remove the Grease Tray and discard its contents.

CAUTION: Grease in Grease Tray may still be hot even if plate is allowed to cool. To remove Griddle Plate, push right spring latch outward until plate is released. Lift plate up and to the right.



- 3 The Griddle Plate and Grease Tray can be washed in the dishwasher or in warm soapy water with a soft cloth. Rinse and dry thoroughly.

CAUTION: Never use or submerge Heating Base or Cord in water. Heating Base and Cord must always be completely dry before use.

- 4 With a damp cloth, clean the griddle burner base and temperature control.
 - Use only nylon, plastic, or wooden utensils with care to avoid scratching the non-stick cooking surface. Never cut food on the griddle.
 - Remove stubborn stains with plastic scouring pad and mild dishwashing liquid.

CAUTION: DO NOT USE steel wool. Any service requiring disassembly other than the above cleaning must be performed by an authorized Oster® service center.





1 Year Limited Warranty

Sunbeam Products, Inc. doing business as Jarden Consumer Solutions or if in Canada, Sunbeam Corporation (Canada) Limited doing business as Jarden Consumer Solutions (collectively "JCS") warrants that for a period of one year from the date of purchase, this product will be free from defects in material and workmanship. JCS, at its option, will repair or replace this product or any component of the product found to be defective during the warranty period. Replacement will be made with a new or remanufactured product or component. If the product is no longer available, replacement may be made with a similar product of equal or greater value. This is your exclusive warranty. Do NOT attempt to repair or adjust any electrical or mechanical functions on this product. Doing so will void this warranty.

This warranty is valid for the original retail purchaser from the date of initial retail purchase and is not transferable. Keep the original sales receipt. Proof of purchase is required to obtain warranty performance. JCS dealers, service centers, or retail stores selling JCS products do not have the right to alter, modify or any way change the terms and conditions of this warranty.

This warranty does not cover normal wear of parts or damage resulting from any of the following: negligent use or misuse of the product, use on improper voltage or current, use contrary to the operating instructions, disassembly, repair or alteration by anyone other than JCS or an authorized JCS service center. Further, the warranty does not cover: Acts of God, such as fire, flood, hurricanes and tornadoes.

What are the limits on JCS's Liability?

JCS shall not be liable for any incidental or consequential damages caused by the breach of any express, implied or statutory warranty or condition.

Except to the extent prohibited by applicable law, any implied warranty or condition of merchantability or fitness for a particular purpose is limited in duration to the duration of the above warranty.

JCS disclaims all other warranties, conditions or representations, express, implied, statutory or otherwise.

JCS shall not be liable for any damages of any kind resulting from the purchase, use or misuse of, or inability to use the product including incidental, special, consequential or similar damages or loss of profits, or for any breach of contract, fundamental or otherwise, or for any claim brought against purchaser by any other party.

Some provinces, states or jurisdictions do not allow the exclusion or limitation of incidental or consequential damages or limitations on how long an implied warranty lasts, so the above limitations or exclusion may not apply to you.

This warranty gives you specific legal rights, and you may also have other rights that vary from province to province, state to state or jurisdiction to jurisdiction.

How to Obtain Warranty Service

In the U.S.A.

If you have any question regarding this warranty or would like to obtain warranty service, please call 1-800-334-0759 and a convenient service center address will be provided to you.

In Canada

If you have any question regarding this warranty or would like to obtain warranty service, please call 1-800-667-8623 and a convenient service center address will be provided to you.

In the U.S.A., this warranty is offered by Sunbeam Products, Inc. doing business as Jarden Consumer Solutions located in Boca Raton, Florida 33431. In Canada, this warranty is offered by Sunbeam Corporation (Canada) Limited doing business as Jarden Consumer Solutions, located at 20 B Hereford Street, Brampton, Ontario L6Y 0M1. If you have any other problem or claim in connection with this product, please write our Consumer Service Department.

PLEASE DO NOT RETURN THIS PRODUCT TO ANY OF THESE ADDRESSES OR TO THE PLACE OF PURCHASE.



MEDIDAS DE SEGURIDAD IMPORTANTES

Al usar electrodomésticos, debe tomar las siguientes precauciones básicas en todo momento:

1. Lea todas las instrucciones antes de usar.
2. No toque las superficies calientes. Use mangos o manijas.
3. Para protegerse del riesgo de un choque eléctrico, no sumerja la base de calentamiento ni el cable en agua u otro líquido.
4. Se recomienda controlar de cerca cuando el artefacto sea utilizado cerca de los niños. Este artefacto no debe ser utilizado por los niños.
5. Desenchufe del tomacorriente cuando no esté en uso y antes de limpiar. Deje enfriar antes de poner o remover partes, y antes de limpiar el aparato.
6. No opere este aparato o ningún otro aparato eléctrico con el cordón o enchufe dañado, o después de que el aparato haya tenido una falla o haya sido dañado de alguna manera. Contacte Servicio al Cliente (vea Garantía) para evaluación, reparación o ajuste mecánico.
7. El uso de accesorios que no son recomendados o vendidos por el fabricante puede causarle lesiones.
8. No lo utilice en exteriores.
9. No deje que el cable cuelgue del extremo de la mesa o la mesada ni que entre en contacto con una superficie caliente.
10. No coloque el aparato ensamblado o la Superficie de la Plancha sobre o cerca de una hornilla de gas o eléctrica caliente. No coloque el aparato ensamblado en un horno caliente.
11. Debe ser extremadamente cuidadoso cuando mueva el artefacto si éste contiene aceite u otros líquidos calientes.
12. No opere la plancha a no ser que haya sido completamente ensamblada. Coloque la Superficie de la Plancha sobre la Base de Calentamiento primero, luego enchufe el cordón en el tomacorriente de pared.
13. No dé a este artefacto un uso para el que no fue hecho.
14. Para desconectar, antes de remover la Superficie de la Plancha de la Base de Calentamiento, presione el Botón de Energía para apagar la plancha y remueva el cordón del tomacorriente.
15. Se requiere el uso de guantes protectores para horno cuando manipule la Superficie de la Plancha o cuando remueva la comida cocida de la Superficie de la Plancha.

USARSE SOLO EN EL HOGAR

GUARDE ESTAS INSTRUCCIONES

Este artefacto debe USARSE SOLO EN EL HOGAR. No contiene piezas que el usuario pueda utilizar. No intente reparar este producto. Se proporciona un cable de alimentación corto para reducir los riesgos originados por los enredos o tropezones que provocan los cables largos. PUEDE USARSE UNA EXTENSION ELECTRICA CON CUIDADO; SIN EMBARGO, LA CLASIFICACION ELECTRICA INDICADA DEBE SER POR LO MENOS IGUAL A LA DE LA PLANCHA. No se debe permitir que la extensión eléctrica sea drapada sobre la cubierta prefabricada o sobre una mesa en la que los niños puedan tirar de ésta ni donde pueda causar tropezones.

Este producto tiene un enchufe polarizado (una pata es más ancha que la otra). A fin de disminuir el riesgo de descarga eléctrica, este enchufe está diseñado para ser insertado en un tomacorriente polarizado en un solo sentido. Si el enchufe no entra completamente en el tomacorriente, invírtalo. Si aun así no entra, póngase en contacto con un electricista calificado. No modifique el enchufe de ninguna manera. Si el enchufe queda suelto en el tomacorriente CA o si siente que el tomacorriente está caliente, no use el tomacorriente.

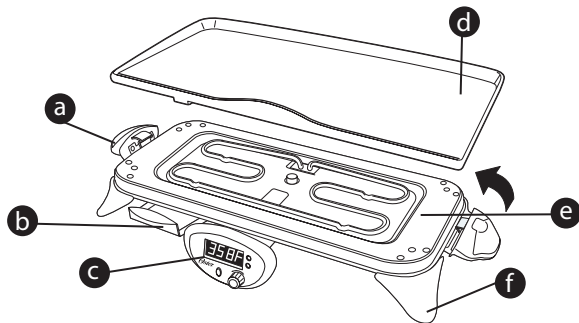
ENERGÍA ELÉCTRICA: Si el circuito eléctrico se sobrecarga con otros artefactos, la plancha puede dejar de funcionar correctamente. La plancha debe utilizarse en un circuito separado de otros artefactos en funcionamiento.

PRECAUCIÓN: Algunos tableros de cocina son más sensibles al calor, tenga cuidado de no poner la plancha sobre superficies que puedan ser dañadas por el calor.

Gracias por comprar la Plancha Eléctrica Removible Oster. Antes de usar este producto por primera vez, tómese un momento para leer estas instrucciones y consérvelas para referencia. Preste particular atención a las instrucciones de seguridad que se ofrecen. Revise la declaración de servicio y garantía del producto. Para conocer más acerca de los productos de Oster®, visítenos en www.oster.com o llámenos al 1-800-334-0759.



APRENDIENDO ACERCA DE SU PLANCHA ELÉCTRICA



- a** Asideras laterales con seguro
- b** Bandeja para grasa
- c** Panel de control de la temperatura
- d** Superficie de la plancha removible
- e** Base de calentamiento
- f** Patas



- a** Energía (Power)
- b** Luz de listo (Ready)
- c** Luz de precalentamiento
- d** Perilla de control



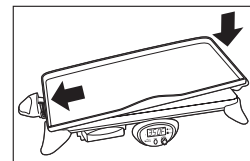
CÓMO:

Antes de su primer uso:

Lave la Superficie de la Plancha Removible en agua tibia jabonosa o en el lavaplatos y seque completamente.

PRECAUCION: No sumerja la Base de Calentamiento en agua u otro líquido.

- 1 Coloque la plancha en una superficie plana, seca y resistente al calor.
- 2 Reacondicione la superficie antiadherente de cocción con aceite vegetal, limpiando cualquier exceso con papel toalla.
- 3 Inserte la Bandeja para Grasa en las guías debajo de la parte frontal de la plancha.



- 4 Asegúrese de que la Superficie de la Plancha esté colocada de forma segura en la Base de Calentamiento. Si la Superficie de la Plancha no está segura en la Base de Calentamiento, el producto no podrá funcionar de forma apropiada. Asegúrese de que las asideras estén correctamente aseguradas a los lados de la Superficie de la Plancha.
- 5 Enchufe la plancha en un tomacorriente estándar AC de 120 voltios. Presione el botón de Energía (Power). La pantalla mostrará una temperatura por defecto de 350°F, la Luz de Precalentamiento se iluminará.
- 6 Para cambiar la temperatura, gire la Perilla de Control a la posición deseada. Si gira la Perilla de Control en dirección de las manecillas del reloj la temperatura aumentará. Si gira la Perilla de Control en dirección contraria de las manecillas del reloj la temperatura disminuirá. La temperatura puede ser ajustada de 150°F a 425°F en incrementos de 25°.
- 7 A medida que la plancha se calienta, la pantalla mostrará la temperatura actual de la plancha a medida que sube hasta llegar a la temperatura seleccionada.
- 8 Cuando la temperatura seleccionada se haya alcanzado, la Luz de Precalentamiento se apagará, y la Luz de Listo (Ready) se encenderá.



NOTA: Si usted ajusta la temperatura durante la cocción, la Luz de Precalentamiento se encenderá. Cuando la nueva temperatura se haya alcanzado, la Luz de Precalentamiento se apagará y la Luz de Listo (Ready) se encenderá nuevamente.

8 No remueva la Superficie de la Plancha hasta que haya tenido tiempo de enfriar por completo.

NOTA: Puede ser necesario raspar la grasa hacia la Bandeja para Grasa. Siempre use utensilios de madera o de nylon para evitar rayar la Superficie de Cocción Antiadherente.

PRECAUCIÓN: ¡La grasa puede estar caliente!

NOTA: Cuando cocine tandas consecutivas de tocino u otro alimento alto en grasas, puede ser necesario que tenga que vaciar la Bandeja para Grasa para evitar que la grasa se desborde sobre su tablero.

Tiempo de cocción y Temperatura

ALIMENTO	TEMPERATURA*	TIEMPO	INSTRUCCIONES
Huevos, fritos	300°F	3 a 5 min.	Voltee a mitad del tiempo de cocción
Tocino	350°F	8 a 12 min.	Voltee frecuentemente
Chorizo/Salchicha	350°F	20 a 30 min.	Voltee a mitad del tiempo de cocción
Tostada francesa	350°F	6 a 10 min.	Voltee a mitad del tiempo de cocción
Hamburguesa	350°F	8 a 14 min.	Voltee a mitad del tiempo de cocción
Tajadas de Jamón	350°F	14 a 18 min.	Voltee a mitad del tiempo de cocción
Sándwiches	350°F	6 a 10 min.	Enmantequille por fuera y dore ambos lados
Costillas de cerdo	350°F	20 a 30 min.	Dore ambos lados, reduzca temperatura a 250°F. Voltee a mitad del tiempo de cocción
Papas	350°F	10 a 12 min.	Voltee a mitad del tiempo de cocción
Bistec			
Crudo	400°F	4 a 6 min.	Voltee a mitad del tiempo de cocción
Termino Medio	400°F	7 a 12 min.	Voltee a mitad del tiempo de cocción
Bien cocido	400°F	13 a 18 min.	Voltee a mitad del tiempo de cocción
Panqueques	375°F	2 a 5 min.	Ponga mantequilla sobre la plancha. Cuando aparezcan burbujas encima, apague.

*Precaliente la plancha hasta que la Luz de Listo se encienda.

NOTA: Las temperaturas de cocción y tiempos listados en este manual son estimadas. Ajuste la temperatura de cocción y el tiempo ligeramente hacia arriba o hacia abajo para obtener los resultados que usted prefiera.



CUIDADO Y LIMPIEZA

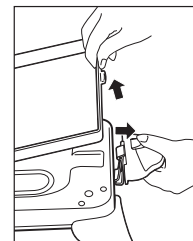
Este aparato debe ser limpiado después de cada uso.

La plancha esta caliente. Manipule con cuidado..

1 Cuando la cocción se haya completado, presione el botón de energía para apagar la unidad. Desenchufe el cordón del tomacorriente y deje que la unidad se enfríe antes de limpiar.

2 Remueva la Bandeja para Grasa y deseche su contenido.

PRECAUCIÓN: La grasa en la Bandeja para Grasa puede estar todavía caliente aún cuando la plancha se haya dejado enfriar. Para remover la Superficie de la Plancha, presione el gancho con resorte derecho hacia afuera hasta que la plancha se desenganche. Levante la Plancha hacia arriba y hacia la derecha.



3 La Superficie de la Plancha y la Bandeja para Grasa pueden ser lavados en el lavaplatos o en agua tibia jabonosa con una tela suave. Enjuague y seque completamente.

PRECAUCIÓN: Nunca use o sumerja la Base de Calentamiento o el cordón en agua. La Base de Calentamiento y el cordón siempre deben estar completamente secos antes usar.

4 Con una tela húmeda, limpie la base de calentamiento de la plancha y el control de la temperatura.

- Use solamente utensilios de nylon, plástico o madera con cuidado para evitar rayar la Superficie de Cocción Antiadherente. Nunca corte comida sobre la plancha.
- Remueva manchas difíciles con una esponja de plástico y un detergente para platos suave

PRECAUCIÓN: NO USE esponja de metal. Cualquier servicio que requiera desarmado otro que no sea el de las instrucciones de lavado arriba mencionadas debe ser realizado por un Centro de Servicio Autorizado Oster.





Garantía Limitada de 1 Año

Sunbeam Products, Inc. operando bajo el nombre de Jarden Consumer Solutions, o en Canadá, Sunbeam Corporation (Canada) Limited operando bajo el nombre de Jarden Consumer Solutions, (en forma conjunta, "JCS"), garantiza que por un período de un año a partir de la fecha de compra, este producto estará libre de defectos de materiales y mano de obra. JCS, a su elección, reparará o reemplazará este producto o cualquier componente del mismo que presente defectos durante el período de garantía. El reemplazo se realizará por un producto o componente nuevo o reparado. Si el producto ya no estuviera disponible, se lo reemplazará por un producto similar de valor igual o superior. Ésta es su garantía exclusiva. No intente reparar o ajustar ninguna función eléctrica o mecánica de este producto. Al hacerlo eliminará ésta garantía.

La garantía es válida para el comprador minorista original a partir de la fecha de compra inicial y la misma no es transferible. Conserve el recibo de compra original. Para solicitar servicio en garantía se requiere presentar un recibo de compra. Los agentes y centros de servicio de JCS o las tiendas minoristas que venden productos de JCS no tienen derecho a alterar, modificar ni cambiar de ningún otro modo los términos y las condiciones de esta garantía.

Esta garantía no cubre el desgaste normal de las piezas ni los daños que se produzcan como resultado de uso negligente o mal uso del producto, uso de voltaje incorrecto o corriente inapropiada, uso contrario a las instrucciones operativas, y desarme, reparación o alteración por parte de un tercero ajeno a JCS o a un Centro de Servicio Autorizado por JCS. Asimismo, la garantía no cubre actos fortuitos tales como incendios, inundaciones, huracanes y tornados.

¿Cuál es el límite de responsabilidad de JCS?

JCS no será responsable de daños incidentales o emergentes causados por el incumplimiento de alguna garantía o condición expresa, implícita o legal.

Excepto en la medida en que lo prohíba la ley aplicable, cualquier garantía o condición implícita de comerciabilidad o aptitud para un fin determinado se limita, en cuanto a su duración, al plazo de la garantía antes mencionada.

JCS queda exenta de toda otra garantías, condiciones o manifestaciones, expresa, implícita, legal o de cualquier otra naturaleza.

JCS no será responsable de ningún tipo de daño que resulte de la compra, uso o mal uso del producto, o por la imposibilidad de usar el producto, incluidos los daños incidentales, especiales, emergentes o similares, o la pérdida de ganancias, ni de ningún incumplimiento contractual, sea de una obligación esencial o de otra naturaleza, ni de ningún reclamo iniciado contra el comprador por un tercero.

Algunas provincias, estados o jurisdicciones no permiten la exclusión o limitación de los daños incidentales o emergentes ni las limitaciones a la duración de las garantías implícitas, de modo que es posible que la exclusión o las limitaciones antes mencionadas no se apliquen en su caso.

Esta garantía le otorga derechos legales específicos y es posible que usted tenga otros derechos que varían de un estado, provincia o jurisdicción a otro.

Cómo solicitar el servicio en garantía

En los Estados Unidos

Si tiene alguna pregunta sobre esta garantía o desea recibir servicio de garantía, llame al

1.800.334.0759 y podrá obtener la dirección del centro de servicio que le resulte más conveniente.

En Canadá

Si tiene alguna pregunta sobre esta garantía o desea recibir servicio de garantía, llame al

1.800.667.8623 y podrá obtener la dirección del centro de servicio que le resulte más conveniente.

En los Estados Unidos, esta garantía es ofrecida por Sunbeam Products, Inc. operando bajo el nombre de Jarden Consumer Solutions, Boca Ratón, Florida 33431. En Canadá, esta garantía es ofrecida por Sunbeam Corporation (Canada) Limited operando bajo el nombre de Jarden Consumer Solutions, 20 B Hereford Street, Brampton, Ontario L6Y 0M1. Si usted tiene otro problema o reclamo en conexión con este producto, por favor escriba al Departamento de Servicio al Consumidor.

POR FAVOR NO DEVUELVA ESTE PRODUCTO A NINGUNA DE ESTAS DIRECCIONES NI AL LUGAR DE COMPRA.



