

Oster

For product questions contact:
Sunbeam Consumer Service

USA : 1.800.334.0759
Canada : 1.800.667.8623
www.oster.com

©2006 Sunbeam Products, Inc., doing business as Jarden Consumer Solutions. All rights reserved. In the U.S., distributed by Sunbeam, Products, Inc., doing business as Jarden Consumer Solutions, Boca Raton, FL 33431 In Canada, imported and distributed by Sunbeam Corporation (Canada) Limited, doing business as Jarden Consumer Solutions, Mississauga, Ontario L5R 3V8. AMB-081006

Pour les questions de produit:
Sunbeam Consumer Service

États-Unis : 1.800.334.0759
Canada : 1.800.667.8623
www.oster.com

©2006 Sunbeam Products, Inc., haciendo negocios como Jarden Consumer Solutions. Todos los derechos reservados. En los EE. UU., distribuido por Sunbeam Products, Inc., haciendo negocios como Jarden Consumer Solutions, Boca Raton, FL 33431 En Canadá, importado y distribuido por Sunbeam Corporation (Canada) Limited, haciendo negocios como Jarden Consumer Solutions, Mississauga (Ontario) L5R 3V8.

Para preguntas sobre los productos llame:
Sunbeam Consumer Service

EE.UU. : 1.800.334.0759
Canada : 1.800.667.8623
www.oster.com

©2006 Sunbeam Products, Inc., haciendo negocios como Jarden Consumer Solutions. Todos los derechos reservados. En los EE. UU., distribuido por Sunbeam Products, Inc., haciendo negocios como Jarden Consumer Solutions, Boca Raton, FL 33431 En Canadá, importado y distribuido por Sunbeam Corporation (Canada) Limited, haciendo negocios como Jarden Consumer Solutions, Mississauga (Ontario) L5R 3V8.

Printed in China Imprimé en Chine Impreso en China

English-6 Español-1 English-5

PLEASE DO NOT RETURN THIS PRODUCT TO ANY OF THESE ADDRESSES OR TO THE PLACE OF PURCHASE.

In the U.S.A., this warranty is offered by Sunbeam Products, Inc. located in Boca Raton, Florida 33431. In Canada, this warranty is offered by Sunbeam Corporation (Canada) Limited, located at 5975 Falchour Street, Mississauga, Ontario L5R 3V8.

In Canada, please call 1 800-667-8623 and a convenient service center address will be provided to you. In the U.S.A., this warranty is offered by Sunbeam Products, Inc. located in Boca Raton, Florida 33431. In Canada, this warranty is offered by Sunbeam Corporation (Canada) Limited, located at 5975 Falchour Street, Mississauga, Ontario L5R 3V8.

In Canada, please call 1 800-334-0759 and a convenient service center address will be provided to you. In the U.S.A., this warranty is offered by Sunbeam Products, Inc. located in Boca Raton, Florida 33431. In Canada, this warranty is offered by Sunbeam Corporation (Canada) Limited, located at 5975 Falchour Street, Mississauga, Ontario L5R 3V8.

How to Obtain Warranty Service

After use and before cleaning, unplug the toaster power cord from the power outlet and wait for the toaster to cool.

1. Wipe the outside of the toaster with a damp cloth and then dry it with another cloth or paper towel. Do not use abrasive cleansers; they will damage the toaster's finish.

WARNING: Do not use any pointed or sharp articles for cleaning the inside of the toaster. This may damage the toaster. Do not immerse the toaster in water or any other liquid.

2. Lightly tap the sides of the toaster to dislodge any crumbs caught in the toast chamber. Remove the crumb tray and empty it. Wipe the tray clean with a damp cloth or place back into the toaster before using the toaster again.

WARNING: Empty the crumb tray frequently. Crumbs will accumulate in the crumb tray and could catch fire if not emptied periodically.

3. Wipe the top of the bread slots with a damp cloth and dry it with another cloth or paper towel.

Cleaning Your Toaster

Some provinces, states or jurisdictions do not allow an implied warranty, limitation or consequential damages or limitations on how long an implied warranty lasts, so the above limitations or exclusion may not apply to you.

This warranty gives you specific legal rights, and you may also have other rights that vary from province to province, state to state or jurisdiction to jurisdiction.

Power Cord Instructions

Please follow the instructions below to ensure the safe use of the power cord.

This toaster has a power cord that can be adjusted to the length of the cord so that it is the appropriate length for your situation. To position the toaster near the power source to reduce the risk of electric shock, do not insert utensils or food-covered or oversized foods into the toaster or place the toaster on a heated burner or micro-heater-resistants or flammable surfaces, on or near a hot gas or electric burner or in a heated oven or micro-heater-resistants or flammable surfaces.

Do not operate or place the toaster on micro-heater-resistants or flammable surfaces, on or near a hot gas or electric burner or in a heated oven or micro-heater-resistants or flammable surfaces.

To reduce the risk of fire or electric shock, do not insert utensils or food-covered or oversized foods into the toaster or place the toaster on a heated burner or micro-heater-resistants or flammable surfaces.

Do not use the toaster outdoors or for commercial purposes. This appliance is for household use only. Do not use the toaster for repair or electrical or mechanical alterations.

Do not operate any appliance with a damaged cord or plug or after the appliance has malfunctioned or has been damaged. Return the toaster to the nearest authorized Sunbeam appliance repair center for examination, repair or electrical or mechanical alterations.

Use this appliance only for its intended use as described in this manual. Do not use attachments that are not recommended by the manufacturer; they may cause injury.

A fire may occur if toasters are covered or touching flammable material, including curtains, draperies, walls and the like when in operation.

Toast lift lever must be in the normal up position before attaching or disconnecting the plug from the wall outlet.

SAVE THESE INSTRUCTIONS

1. Fully Removable Crumb Tray – For convenient and easy cleanup.

2. Cord Storage – Allows you to store extra cord under the toaster and out of the way.

3. Polished Metal Surface – Keeps the toaster surface cool to the touch, even during use.

4. COOL-TOUCH™ Exterior – Keeps the toaster surface cool to the touch, even during use.

5. Power Cord

6. Extra-Wide Bread Slots – Wide slots (1.3 inches) allow you to toast bagels.

7. Dual, Auto-Adjusting Bread Guides – Home-made bread and English muffins, thickly-sliced homemade bread and English muffins.

8. Cancel Button – Press the cancel button to pop the bread out of the bread slots and stop the toasting process.

9. Bread Carriage Lever – Press to begin toasting your food.

10. Toast Lift – Press up on the bread carriage lever to lift food out of the bread slots. Convenient and safe way of retrieving the smallest of toasted items.

11. Fully Removable Crumb Tray – For convenient and easy cleanup.

12. Cord Storage – Allows you to store extra cord under the toaster and out of the way.

13. Power Cord

14. COOL-TOUCH™ Exterior – Keeps the toaster surface cool to the touch, even during use.

Preparing to Use Your Toaster for the First Time

If you are using your toaster for the first time, please be sure to:

1. Remove any stickers from the surface of the toaster and wipe the outside of your toaster with a damp cloth.

2. Insert the removable crumb tray into the crumb tray slot.

3. Make certain that the bread carriage lever is in the uppermost position before plugging in the toaster's power cord.

4. Select a location for the toaster. The location should be:

- A flat, heat-resistant, non-flammable surface.
- At least three inches away from wall or the back of countertops.
- At least one foot away from any cabinet or shelving that may be above the toaster.
- Away from flammable materials, such as curtains and wall fabric.
- Away from a gas stove flame or electric element.

5. Plug the power cord into 120/127 Volt, 60 Hz AC outlet.

Adjusting the power cord length

Your toaster's cord storage area allows you to adjust the length of the power cord so that it is the exact length you desire.

• Most types of breads and pastries can be toasted, such as bagels, tea cakes, thickly sliced breads, English muffins, etc. Slices should not, however, be so thick as to jam the bread slots.

Using the Frozen Food Function

Your toaster can defrost your frozen food and then toast it. Now you can take a frozen bagel out of the freezer and defrost and toast it – all in your toaster – all in one easy step.

To defrost and toast your food:

1. Place food into the bread carriage.

2. Choose between Toast or Bagel mode by pressing the appropriate button.

3. Press the frozen button. It will light up.

4. Select the desired darkness setting by turning the Lighter/Darker knob.

5. Press the Bread Carriage Lever.

Using the Food Select Feature (Toast, Bagel)

Your OSTER® Toaster will adjust the light/dark range based upon the type of food you are toasting. You must select which type of food you are toasting so that the toaster can adjust accordingly.

1. Choose between the Food Select Features or other functions. If no food or function is chosen, toast is the default setting.

2. Select the desired darkness setting by turning the Lighter/Darker knob.

3. Press the Bread Carriage Lever down until it clicks.

The Auto-Adjusting Bread Guides will automatically center the food for even browning.

Tip: Your toaster has been designed for optimum toast balance. Some elements on the inside of the toaster may glow more brightly than others when in use. This is part of normal toaster operation.

After the desired level of darkness has been reached, the food will pop up automatically. The Bread Carriage Lever will return to its original position and the indicator lights will turn off.

WARNING: Toasted food can be very hot. Handle with care.

Sunbeam® shall not be liable for any kind of damages or consequential damages or consequential damages or limitations on how long an implied warranty lasts, so the above limitations or exclusion may not apply to you.

Sunbeam® shall not be liable for any kind of damages or consequential damages caused by the bread or merchandise, injury or illness for a particular purpose is limited in duration to the duration of the above warranty.

Sunbeam® disclaims all other warranties, conditions or representations, express, implied, statutory or otherwise.

Sunbeam® shall not be liable for any kind of damages or consequential damages or consequential damages or limitations on how long an implied warranty lasts, so the above limitations or exclusion may not apply to you.

This warranty gives you specific legal rights, and you may also have other rights that vary from province to province, state to state or jurisdiction to jurisdiction.

How to Obtain Warranty Service

After use and before cleaning, unplug the toaster power cord from the power outlet and wait for the toaster to cool.

1. Wipe the outside of the toaster with a damp cloth and then dry it with another cloth or paper towel. Do not use abrasive cleansers; they will damage the toaster's finish.

WARNING: Do not use any pointed or sharp articles for cleaning the inside of the toaster. This may damage the toaster. Do not immerse the toaster in water or any other liquid.

2. Lightly tap the sides of the toaster to dislodge any crumbs caught in the toast chamber. Remove the crumb tray and empty it. Wipe the tray clean with a damp cloth or place back into the toaster before using the toaster again.

WARNING: Empty the crumb tray frequently. Crumbs will accumulate in the crumb tray and could catch fire if not emptied periodically.

3. Wipe the top of the bread slots with a damp cloth and dry it with another cloth or paper towel.

What are the limits on Sunbeam's Liability?

Sunbeam® shall not be liable for any kind of damages or consequential damages caused by the bread or merchandise, injury or illness for a particular purpose is limited in duration to the duration of the above warranty.

Sunbeam® disclaims all other warranties, conditions or representations, express, implied, statutory or otherwise.

Sunbeam® shall not be liable for any kind of damages or consequential damages or consequential damages or limitations on how long an implied warranty lasts, so the above limitations or exclusion may not apply to you.

This warranty gives you specific legal rights, and you may also have other rights that vary from province to province, state to state or jurisdiction to jurisdiction.

How to Obtain Warranty Service

After use and before cleaning, unplug the toaster power cord from the power outlet and wait for the toaster to cool.

1. Wipe the outside of the toaster with a damp cloth and then dry it with another cloth or paper towel. Do not use abrasive cleansers; they will damage the toaster's finish.

WARNING: Do not use any pointed or sharp articles for cleaning the inside of the toaster. This may damage the toaster. Do not immerse the toaster in water or any other liquid.

2. Lightly tap the sides of the toaster to dislodge any crumbs caught in the toast chamber. Remove the crumb tray and empty it. Wipe the tray clean with a damp cloth or place back into the toaster before using the toaster again.

WARNING: Empty the crumb tray frequently. Crumbs will accumulate in the crumb tray and could catch fire if not emptied periodically.

3. Wipe the top of the bread slots with a damp cloth and dry it with another cloth or paper towel.

1 Year Limited Warranty

Sunbeam Products, Inc., doing business as Jarden Consumer Solutions, or if in Canada, Sunbeam Corporation (Canada) Limited, doing business as Jarden Consumer Solutions (collectively "Sunbeam") warrants that for a period of one year from the date of purchase, this product will be free from defects in material and workmanship. Sunbeam will repair, replace or refund the product or any component of the product found to be defective during the warranty period. Replacement will be made with a new or remanufactured product of equal or greater value. This is your exclusive warranty.

This warranty is valid for the original retail purchaser from the date of initial retail purchase and is non-transferable. Keep the original sales receipt. Proof of purchase is required to obtain warranty performance. Sunbeam® dealers, service centers, or retail stores selling Sunbeam products do not have the right to alter, modify or for any way change the terms and conditions of this warranty.

This warranty does not cover normal wear of parts or damage resulting from any of the following: negligence, misuse of, or inability to use the product including incidental, special, consequential or similar damages or loss of profits or contract, fundamental or otherwise, or for any claim brought against purchaser by any other party.

Some provinces, states or jurisdictions do not allow an implied warranty, limitation or consequential damages or limitations on how long an implied warranty lasts, so the above limitations or exclusion may not apply to you.

This warranty gives you specific legal rights, and you may also have other rights that vary from province to province, state to state or jurisdiction to jurisdiction.

PRECAUCIONES IMPORTANTES

Obedezca siempre las precauciones elementales de seguridad cuando vaya a hacer uso de su tostadora, incluyendo las siguientes:

LEA TODAS LAS INSTRUCCIONES ANTES DEL USO

• Desenchufe la tostadora del tomacorrientes cuando no se encuentre en servicio y antes de limpiarla. Antes de poner o quitar alguna pieza, espera hasta que la tostadora se enfríe.

• No toque las superficies calientes. Las piezas de metal pueden volverse calientes. Utilice las asideras o las perillas.

• Para evitar descarga eléctrica, desenchufe la tostadora antes de limpiarla.

• No permita que el cordón cuelgue sobre el borde de la mesa o del mostrador, ni que entre en contacto con las superficies calientes.

• Jamás permita que los enseres queden desatendidos durante el uso.

• Los niños y las personas incapacitadas no deben hacer uso de estos enseres. Supervise cuidadosamente a los niños de mayor edad.

• No opere ni coloque la tostadora:

- Sobre superficies que no sean termorresistentes ni inflamables.
- En o cerca de una hornalla eléctrica o a gas caliente.
- Dentro de un horno calentado o microondas.

• Para reducir el riesgo de los incendios o los choques eléctricos, no inserte:

– Utensilios ni alimentos cubiertos en papel aluminio, ni de grandes dimensiones, en la tostadora.

– Los dedos ni utensilios de metal en la tostadora cuando el aparato se encuentre enchufado.

• No intente desalojar alimentos cuando la tostadora esté enchufada.

• No utilice alimentos cuyas cubiertas o rellenos puedan gotear a consecuencia del calentamiento. Tales acumulaciones dentro de la tostadora crean condiciones poco sanitarias así como la posibilidad de incendios o malfuncionamientos de la tostadora. Elimine con frecuencia las migas acumuladas para evitar el riesgo de incendios o el mal funcionamiento de la tostadora. No opere la tostadora sin haber antes devuelto la bandeja para migas a su posición correcta.

• No opere ningún aparato que tenga un cordón o enchufe dañado, o después de que se haya producido un malfuncionamiento en el aparato o que haya sido dañado en cualquier forma. Devuelva la tostadora al centro de servicio autorizado de Sunbeam para su inspección, ajuste, reparación o cualquier ajuste electromecánico.

• No utilice la tostadora a la intemperie para usos comerciales; esta tostadora es para el uso doméstico exclusivamente.

• Sólo utilice este aparato para su uso original conforme a lo descrito en este manual; no utilice aditamentos que no hayan sido recomendados por el fabricante, ya que pueden producir lesionamientos.

• Puede producirse un incendio si se cubre la tostadora o si entra en contacto con material inflamable, incluyendo cortinas, tapicería, paredes y afines mientras que se encuentre funcionando.

• El mando elevador de tostadas debe estar en la posición elevada antes de conectar o desconectar el enchufe de la pared.

Instrucciones para el Cordón de Potencia

Obedezca las siguientes instrucciones para asegurar el uso correcto del cordón de potencia.

• Esta tostadora cuenta con una zona de cordón de potencia que le permite ajustarlo a la longitud correcta para su situación. Trate de colocar la tostadora cerca del tomacorrientes apropiado para disminuir los riesgos asociados con los cordones de potencia (*tales como enredarse en un cordón de potencia de longitud excesiva o tropezarse sobre él*).

• Si resulta necesario, se puede hacer uso de una extensión eléctrica, pero asegúrese de seguir estas direcciones:

- La notación eléctrica de la extensión eléctrica debe ser de un mínimo de 120/127 voltios, 60 Hz.
- La extensión eléctrica debe estar colocada de tal manera que no se envuelva sobre el mostrador o la superficie de la mesa, ni que tampoco quede al alcance de los niños, ni que tampoco pueda tropezarse sobre ella.

• Para los tostadores cuya compra se efectuó en EE.UU. y el Canadá: este aparato cuenta con un enchufe polarizado (*una hoja es más ancha que la otra*). Para disminuir el riesgo de los choques eléctricos, dicho enchufe se adaptará a un tomacorrientes polarizado de una manera solamente. Si no puede insertar el enchufe en el tomacorrientes completamente, invierta la dirección del enchufe. Si aún no cabe, comuníquese con un electricista experto. No modifique el enchufe.

• No tire, tuerza ni abuse el cordón de potencia.

• No opere ningún aparato eléctrico que tenga un cordón o enchufe dañado, ni después de que se haya producido el malfuncio namiento de la unidad, ni que se haya caído o dañado en cualquier manera.

• Desenchufe la tostadora cuando ésta no se encuentre en uso y antes de limpiarla.

• No envuelva el cordón de potencia alrededor del cuerpo de la tostadora ni durante ni después del uso.

ESTA UNIDAD ES SÓLO PARA USO DOMÉSTICO

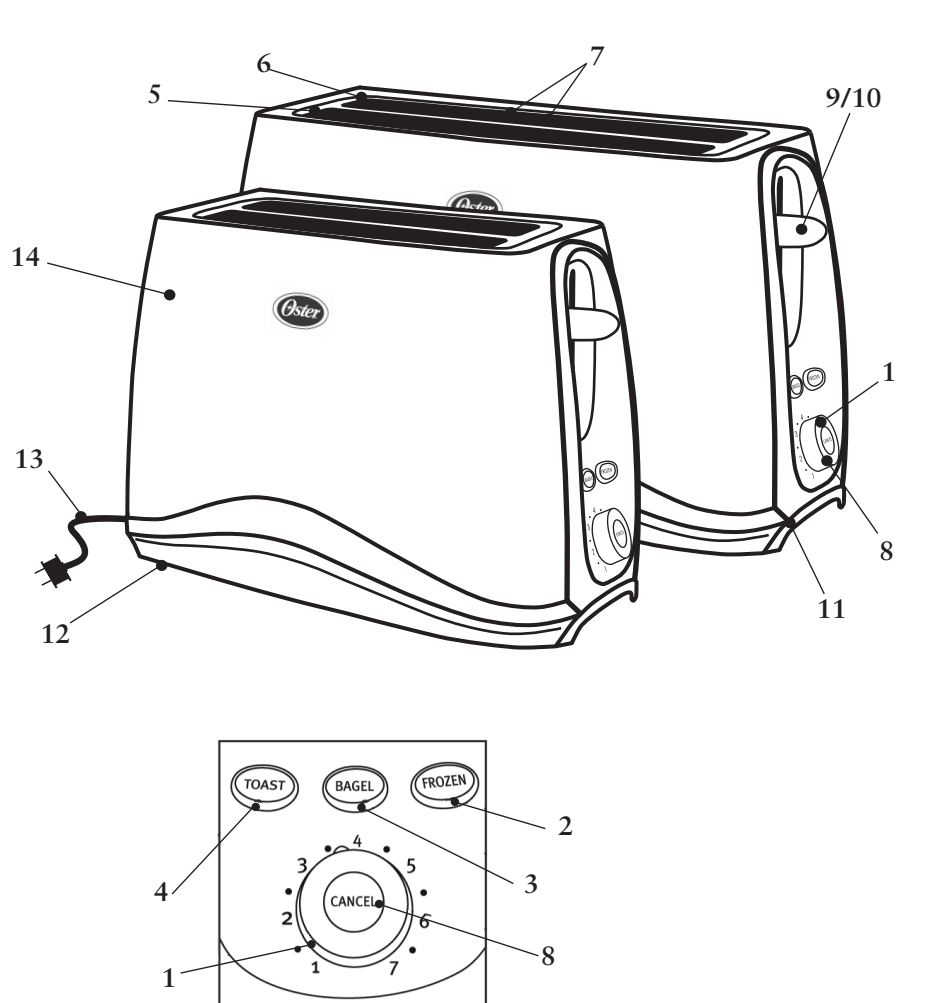
GUARDE ESTAS INSTRUCCIONES

Uso de un Cable Eléctrico Corto

Se incluye un cable de tensión corto para evitar que se enrede o que cause tropezos. Un cable de extensión puede usarse con cuidado. Si se usa un cable de extensión, la potencia eléctrica marcada en el cable de extensión debe ser por lo menos igual o mayor a la potencia eléctrica del aparato. El cable de extensión debe colocarse de manera que no cuelgue del mostrador o de la mesa, donde pueda causar tropezos accidentalmente.

Bienvenido

¡Felicitaciones por haber efectuado la compra de una Tostadora OSTER®! Para aprender más sobre los productos de OSTER®, visítenos por favor en www.oster.com.



1. Selector y Piloto de Tostadora
2. Botón de Congelados con Luz Indicadora
3. Botón de Rosca "Bagel" con Luz Indicadora
4. Botón de Tostada con Luz Indicadora
5. Superficie de Metal Pulido
6. Ranuras Extra Anchas
7. Guías para Rebanadas, Hechas de Acero Inoxidable
8. Botón de Anulación
9. Mando de Resistencias del Pan
10. Elevador de Tostadas
11. Bandeja de Migas, Completamente Desprendible
12. Almacenamiento para el Cordón
13. Cordón de Potencia
14. Exterior COOL-TOUCH™ (Fría al Tacto)

Español-3 English-3

Learning About Your Toaster

Turn the knob to select how dark you would like your food to toast. 1 is darkest. 7 is default setting. If no food or function is chosen, toast is the default setting.

3. Bagel Button with Indicator Light – Press this button if you want to toast a bagel. The indicator will light to confirm that "Bagel" is selected. Toast is the default setting. Use the button in combination with the Bagel or Toast buttons. The toaster will automatically defrost your food and then toast it in one easy step.

2. Frozen Button with Indicator Light – Press this button if your food is frozen. Select buttons are chosen.

Preparing to Use Your Toaster for the First Time

If you are using your toaster for the first time, please be sure to:

1. Remove any stickers from the surface of the toaster and wipe the outside of your toaster with a damp cloth.

2. Insert the removable crumb tray into the crumb tray slot.

3. Make certain that the bread carriage lever is in the uppermost position before plugging in the toaster's power cord.

4. Select a location for the toaster. The location should be:

- A flat, heat-resistant, non-flammable surface.
- At least three inches away from wall or the back of countertops.
- At least one foot away from any cabinet or shelving that may be above the toaster.
- Away from flammable materials, such as curtains and wall fabric.
- Away from a gas stove flame or electric element.

5. Plug the power cord into 120/127 Volt, 60 Hz AC outlet.

Adjusting the power cord length

Your toaster's cord storage area allows you to adjust the length of the power cord so that it is the exact length you desire.

• Most types of breads and pastries can be toasted, such as bagels, tea cakes, thickly sliced breads, English muffins, etc. Slices should not, however, be so thick as to jam the bread slots.

Using the Frozen Food Function

Your toaster can defrost your frozen food and then toast it. Now you can take a frozen bagel out of the freezer and defrost and toast it – all in your toaster – all in one easy step.

To defrost and toast your food:

1. Place food into the bread carriage.

2. Choose between Toast or Bagel mode by pressing the appropriate button.

3. Press the frozen button. It will light up.

4. Select the desired darkness setting by turning the Lighter/Darker knob.

5. Press the Bread Carriage Lever.

Using the Food Select Feature (Toast, Bagel)

Your OSTER® Toaster will adjust the light/dark range based upon the type of food you are toasting. You must select which type of food you are toasting so that the toaster can adjust accordingly.

1. Choose between the Food Select Features or other functions. If no food or function is chosen, toast is the default setting.

2. Select the desired darkness setting by turning the Lighter/Darker knob.

3. Press the Bread Carriage Lever down until it clicks.

The Auto-Adjusting Bread Guides will automatically center the food for even browning.

Tip: Your toaster has been designed for optimum toast balance. Some elements on the inside of the toaster may glow more brightly than others when in use. This is part of normal toaster operation.

After the desired level of darkness has been reached, the food will pop up automatically. The Bread Carriage Lever will return to its original position and the indicator lights will turn off.

WARNING: Toasted food can be very hot. Handle with care.

Sunbeam® shall not be liable for any kind of damages or consequential damages or consequential damages or limitations on how long an implied warranty lasts, so the above limitations or exclusion may not apply to you.

This warranty gives you specific legal rights, and you may also have other rights that vary from province to province, state to state or jurisdiction to jurisdiction.

How to Obtain Warranty Service

After use and before cleaning, unplug the toaster power cord from the power outlet and wait for the toaster to cool.

1. Wipe the outside of the toaster with a damp cloth and then dry it with another cloth or paper towel. Do not use abrasive cleansers; they will damage the toaster's finish.

WARNING: Do not use any pointed or sharp articles for cleaning the inside of the toaster. This may damage the toaster. Do not immerse the toaster in water or any other liquid.

2. Lightly tap the sides of the toaster to dislodge any crumbs caught in the toast chamber. Remove the crumb tray and empty it. Wipe the tray clean with a damp cloth or place back into the toaster before using the toaster again.

WARNING: Empty the crumb tray frequently. Crumbs will accumulate in the crumb tray and could catch fire if not emptied periodically.

3. Wipe the top of the bread slots with a damp cloth and dry it with another cloth or paper towel.

What are the limits on Sunbeam's Liability?

Sunbeam® shall not be liable for any kind of damages or consequential damages caused by the bread or merchandise, injury or illness for a particular purpose is limited in duration to the duration of the above warranty.

Sunbeam® disclaims all other warranties, conditions or representations, express, implied, statutory or otherwise.

Sunbeam® shall not be liable for any kind of damages or consequential damages or consequential damages or limitations on how long an implied warranty lasts, so the above limitations or exclusion may not apply to you.

This warranty gives you specific legal rights, and you may also have other rights that vary from province to province, state to state or jurisdiction to jurisdiction.

How to Obtain Warranty Service

After use and before cleaning, unplug the toaster power cord from the power outlet and wait for the toaster to cool.

1. Wipe the outside of the toaster with a damp cloth and then dry it with another cloth or paper towel. Do not use abrasive cleansers; they will damage the toaster's finish.

WARNING: Do not use any pointed or sharp articles for cleaning the inside of the toaster. This may damage the toaster. Do not immerse the toaster in water or any other liquid.

2. Lightly tap the sides of the toaster to dislodge any crumbs caught in the toast chamber. Remove the crumb tray and empty it. Wipe the tray clean with a damp cloth or place back into the toaster before using the toaster again.

WARNING: Empty the crumb tray frequently. Crumbs will accumulate in the crumb tray and could catch fire if not emptied periodically.

3. Wipe the top of the bread slots with a damp cloth and dry it with another cloth or paper towel.

1 Year Limited Warranty

Sunbeam Products, Inc., doing business as Jarden Consumer Solutions, or if in Canada, Sunbeam Corporation (Canada) Limited, doing business as Jarden Consumer Solutions (collectively "Sunbeam") warrants that for a period of one year from the date of purchase, this product will be free from defects in material and workmanship. Sunbeam will repair, replace or refund the product or any component of the product found to be defective during the warranty period. Replacement will be made with a new or remanufactured product of equal or greater value. This is your exclusive warranty.

This warranty is valid for the original retail purchaser from the date of initial retail purchase and is non-transferable. Keep the original sales receipt. Proof of purchase is required to obtain warranty performance. Sunbeam® dealers, service centers, or retail stores selling Sunbeam products do not have the right to alter, modify or for any way change the terms and conditions of this warranty.

This warranty does not cover normal wear of parts or damage resulting from any of the following: negligence, misuse of, or inability to use the product including incidental, special, consequential or similar damages or loss of profits or contract, fundamental or otherwise, or for any claim brought against purchaser by any other party.

Some provinces, states or jurisdictions do not allow an implied warranty, limitation or consequential damages or limitations on how long an implied warranty lasts, so the above limitations or exclusion may not apply to you.

This warranty gives you specific legal rights, and you may also have other rights that vary from province to province, state to state or jurisdiction to jurisdiction.

SAVE THESE INSTRUCTIONS

1. Fully Removable Crumb Tray – For convenient and easy cleanup.

2. Cord Storage – Allows you to store extra cord under the toaster and out of the way.

3. Polished Metal Surface – Keeps the toaster surface cool to the touch, even during use.

4. COOL-TOUCH™ Exterior – Keeps the toaster surface cool to the touch, even during use.

5. Power Cord

6. Extra-Wide Bread Slots – Wide slots (1.3 inches) allow you to toast bagels.

7. Dual, Auto-Adjusting Bread Guides – Home-made bread and English muffins, thickly-sliced homemade bread and English muffins.

8. Cancel Button – Press the cancel button to pop the bread out of the bread slots and stop the toasting process.

9. Bread Carriage Lever – Press to begin toasting your food.

10. Toast Lift – Press up on the bread carriage lever to lift food out of the bread slots. Convenient and safe way of retrieving the smallest of toasted items.

11. Fully Removable Crumb Tray – For convenient and easy cleanup.

12. Cord Storage – Allows you to store extra cord under the toaster and out of the way.

13. Power Cord

14. COOL-TOUCH™ Exterior – Keeps the toaster surface cool to the touch, even during use.

Preparing to Use Your Toaster for the First Time

If you are using your toaster for the first time, please be sure to:

1. Remove any stickers from the surface of the toaster and wipe the outside of your toaster with a damp cloth.

2. Insert the removable crumb tray into the crumb tray slot.

3. Make certain that the bread carriage lever is in the uppermost position before plugging in the toaster's power cord.

4. Select a location for the toaster. The location should be:

- A flat, heat-resistant, non-flammable surface.
- At least three inches away from wall or the back of countertops.
- At least one foot away from any cabinet or shelving that may be above the toaster.
- Away from flammable materials, such as curtains and wall fabric.
- Away from a gas stove flame or electric element.

5. Plug the power cord into 120/127 Volt, 60 Hz AC outlet.

Adjusting the power cord length

Your toaster's cord storage area allows you to adjust the length of the power cord so that it is the exact length you desire.

• Most types of breads and pastries can be toasted, such as bagels, tea cakes, thickly sliced breads, English muffins, etc. Slices should not, however, be so thick as to jam the bread slots.

Using the Frozen Food Function

Your toaster can defrost your frozen food and then toast it. Now you can take a frozen bagel out of the freezer and defrost and toast it – all in your toaster – all in one easy step.

To defrost and toast your food:

1. Place food into the bread carriage.

2. Choose between Toast or Bagel mode by pressing the appropriate button.

3. Press the frozen button. It will light up.

4. Select the desired darkness setting by turning the Lighter/Darker knob.

5. Press the Bread Carriage Lever.

Using the Food Select Feature (Toast, Bagel)

Your OSTER® Toaster will adjust the light/dark range based upon the type of food you are toasting. You must select which type of food you are toasting so that the toaster can adjust accordingly.

1. Choose between the Food Select Features or other functions. If no food or function is chosen, toast is the default setting.

2. Select the desired darkness setting by turning the Lighter/Darker knob.

3. Press the Bread Carriage Lever down until it clicks.

The Auto-Adjusting Bread Guides will automatically center the food for even browning.

Tip: Your toaster has been designed for optimum toast balance. Some elements on the inside of the toaster may glow more brightly than others when in use. This is part of normal toaster operation.

After the desired level of darkness has been reached, the food will pop up automatically. The Bread Carriage Lever will return to its original position and the indicator lights will turn off.

WARNING: Toasted food can be very hot. Handle with care.

Sunbeam® shall not be liable for any kind of damages or consequential damages or consequential damages or limitations on how long an implied warranty lasts, so the above limitations or exclusion may not apply to you.

This warranty gives you specific legal rights, and you may also have other rights that vary from province to province, state to state or jurisdiction to jurisdiction.

How to Obtain Warranty Service

After use and before cleaning, unplug the toaster power cord from the power outlet and wait for the toaster to cool.

1. Wipe the outside of the toaster with a damp cloth and then dry it with another cloth or paper towel. Do not use abrasive cleansers; they will damage the toaster's finish.

WARNING: Do not use any pointed or sharp articles for cleaning the inside of the toaster. This may damage the toaster. Do not immerse the toaster in water or any other liquid.

2. Lightly tap the sides of the toaster to dislodge any crumbs caught in the toast chamber. Remove the crumb tray and empty it. Wipe the tray clean with a damp cloth or place back into the toaster before using the toaster again.

WARNING: Empty the crumb tray frequently. Crumbs will accumulate in the crumb tray and could catch fire if not emptied periodically.

3. Wipe the top of the bread slots with a damp cloth and dry it with another cloth or paper towel.

1 Year Limited Warranty

Sunbeam Products, Inc., doing business as Jarden Consumer Solutions, or if in Canada, Sunbeam Corporation (Canada) Limited, doing business as Jarden Consumer Solutions (collectively "Sunbeam") warrants that for a period of one year from the date of purchase, this product will be free from defects in material and workmanship. Sunbeam will repair, replace or refund the product or any component of the product found to be defective during the warranty period. Replacement will be made with a new or remanufactured product of equal or greater value. This is your exclusive warranty.

This warranty is valid for the original retail purchaser from the date of initial retail purchase and is non-transferable. Keep the original sales receipt. Proof of purchase is required to obtain warranty performance. Sunbeam® dealers, service centers, or retail stores selling Sunbeam products do not have the right to alter, modify or for any way change the terms and conditions of this warranty.

This warranty does not cover normal wear of parts or damage resulting from any of the following: negligence, misuse of, or inability to use the product including incidental, special, consequential or similar damages or loss of profits or contract, fundamental or otherwise, or for any claim brought against purchaser by any other party.

Some provinces, states or jurisdictions do not allow an implied warranty, limitation or consequential damages or limitations on how long an implied warranty lasts, so the above limitations or exclusion may not apply to you.

This warranty gives you specific legal rights, and you may also have other rights that vary from province to province, state to state or jurisdiction to jurisdiction.

IMPORTANT SAFEGUARDS

When using your toaster, basic safety precautions should always be followed, including the following:

• Read all instructions before use.

• Do not touch hot surfaces. Metal parts can become hot. Use handles or knobs.

• Do not touch hot parts.

• Do not operate or place the toaster on micro-heater-resistants or flammable surfaces, on or near a hot gas or electric burner or in a heated oven or micro-heater-resistants or flammable surfaces.

To reduce the risk of fire or electric shock, do not insert utensils or food-covered or oversized foods into the toaster or place the toaster on a heated burner or micro-heater-resistants or flammable surfaces.

Do not use the toaster outdoors or for commercial purposes. This appliance is for household use only. Do not use the toaster for repair or electrical or mechanical alterations.

Use this appliance only for its intended use as described in this manual. Do not use attachments that are not recommended by the manufacturer; they may cause injury.

A fire may occur if toasters are covered or touching flammable material, including curtains, draperies, walls and the like when in operation.

Toast lift lever must be in the normal up position before attaching or disconnecting the plug from the wall outlet.

Conociendo Su Tostadora

1. Selector y Piloto de Tostadora – Gire la perilla para seleccionar el grado al cual le gustaría tostar sus alimentos: el número es el más ligero, y el número siete es el más oscuro. Si no se selecciona ningún botón de función o alimento, el ajuste predeterminado es "Toast" (Tostar).

2. Botón de Congelados con Luz Indicadora – Presione este botón si sus alimentos están congelados. Utilice este botón conjuntamente con los botones de "Bagel"

