

Oster®

User Manual **Iced Tea Maker**
Manual de Instrucciones **Máquina para té helado**

READ ALL INSTRUCTIONS BEFORE USING THIS APPLIANCE

LEA COMPLETAMENTE LAS INSTRUCCIONES ANTES DE USAR ESTE APARATO

MODELS/MODELOS TM20 SERIES/SERIE

Oster®

© 2009 Sunbeam Products, Inc. doing business as Jarden Consumer Solutions. All rights reserved.
Distributed by Sunbeam Products, Inc. doing business as Jarden Consumer Solutions,
Boca Raton, Florida 33431.

Oster® is a registered trademark of Sunbeam Products, Inc.

U.S. 1-800-334-0759
Canada 1-800-667-8623

Visit us at www.oster.com

You will find exciting and entertaining tips and ideas,
including great recipes!

SPR-041709

© 2009 Sunbeam Products, Inc. operando bajo el nombre de Jarden Consumer Solutions.
Todos los derechos reservados. Distribuido por Sunbeam Products, Inc. operando bajo
el nombre de Jarden Consumer Solutions, Boca Raton, Florida 33431.

Visítenos en www.Oster.com

Ahí encontrará consejos e ideas excitantes y entretenidos,
¡incluyendo excelentes recetas!

Printed in China/Impreso en China

P.N. 130394
9100460000023
BVSTTM2009ESM1



Visit us at www.oster.com

IMPORTANT SAFEGUARDS

To reduce the risk of fire, electric shock and/or injury to persons, basic safety precautions should always be followed when using electrical appliances, including the following:

1. READ ALL INSTRUCTIONS BEFORE USING THE APPLIANCE.
2. Do not touch the appliance's hot surfaces. Use handles or knobs.
3. To protect against electric shock, do not immerse the power cord, power plug or appliance in water or in any other liquid.
4. Close adult supervision is necessary when this appliance is used by or near children.
5. Unplug the appliance's power cord from the power source when it is not in use and before cleaning. Wipe with a damp cloth only. Allow it to cool before putting on or taking off parts and before cleaning the appliance.
6. Do not operate any appliance with a damaged power cord or power plug, or operate it after the appliance malfunctions, or has been damaged in any manner. Return this appliance only to the nearest Authorized Service Center for examination, repair or adjustment.
7. The use of accessory attachments not recommended for Oster® brand products may cause hazards or injuries.
8. Do not use the appliance outdoors.
9. Do not let the power cord hang over edge of table or counter, or allow it to come into contact with hot surfaces.
10. Do not place this appliance on or near a hot gas or electric burner or in a heated oven.
11. To disconnect the appliance, remove the power plug from the power supply.
12. This appliance is designed for household use only.
13. Place the appliance on a hard, flat level surface only to avoid interruption of airflow underneath it.
14. Pitcher Use and Care
The pitcher may break if the following instructions are not followed:
 - a. This pitcher is designed for use with this iced tea maker and thus must never be used on a rangetop or in any oven, including microwave ovens.
 - b. Do not use a cracked pitcher.
 - c. Do not clean the pitcher with cleansers, steel wool pads or other abrasive materials.
 - d. Avoid sharp blows, scratches or rough handling.
15. Do not use appliance for other than intended use.
16. Scalding may occur if the lid is removed during brewing cycles.

WARNING! To reduce the risk of fire or electric shock, do not remove any service covers. There are no user serviceable parts inside. Only authorized personnel should repair the appliance.



Please read ALL of the instructions in this manual carefully before you begin to use this appliance. Proper care and maintenance will ensure a long life and a trouble-free operation for this appliance. Please save these instructions and refer to them frequently for cleaning and care tips.

ADDITIONAL PRECAUTIONS WHEN USING THE ICED TEA MAKER

- Place the appliance well back from the edge of the counter.
- Avoid appliance areas which may become hot or emit steam when the iced tea maker is on, particularly the steeping/brew basket and the water reservoir.
- The top lid must be closed at all times while the appliance is brewing.
- DO NOT operate the iced tea maker unless the pitcher has its lid on and is fitted snugly against the appliance.
- DO NOT move the appliance while in use or until it has cooled off. Steam may escape from the steeping/brew basket while the appliance is cooling.
- DO NOT place a tablecloth or other fabric underneath the appliance or otherwise restrict airflow beneath it.
- DO NOT jerk or pull on the power cord when unplugging the appliance, grasp the molded plug to unplug it.
- Never reheat a beverage by passing it through the appliance's brewing system.
- DO NOT immerse the appliance in water. This may cause electrocution or shock, damage it permanently and void the warranty.

SPECIAL CORD SET INSTRUCTIONS

1. A short power supply cord is provided to reduce the hazards resulting from a person or pet becoming entangled in, or tripping over, a longer cord.
2. An extension cord may be purchased and used if care is exercised in its use.
3. If an extension cord is used, the marked electrical rating of the extension cord must be at least 10 amps and 120 volts. The resulting extended cord must be arranged so that it will not drape over a countertop or tabletop where it can be pulled on by children or tripped over accidentally.

This appliance has a polarized plug (one blade is wider than the other). To reduce the risk of electric shock, this plug will fit in a polarized outlet only one way. If the plug does not fit fully in the outlet, reverse the plug. If it still does not fit, contact a qualified electrician. Do not modify the plug in any way.

SAVE THESE INSTRUCTIONS

INTRODUCTION

Welcome and congratulations on the purchase of your new Oster® Iced Tea Maker.

Your new iced tea maker will allow you to prepare delicious iced tea at home.

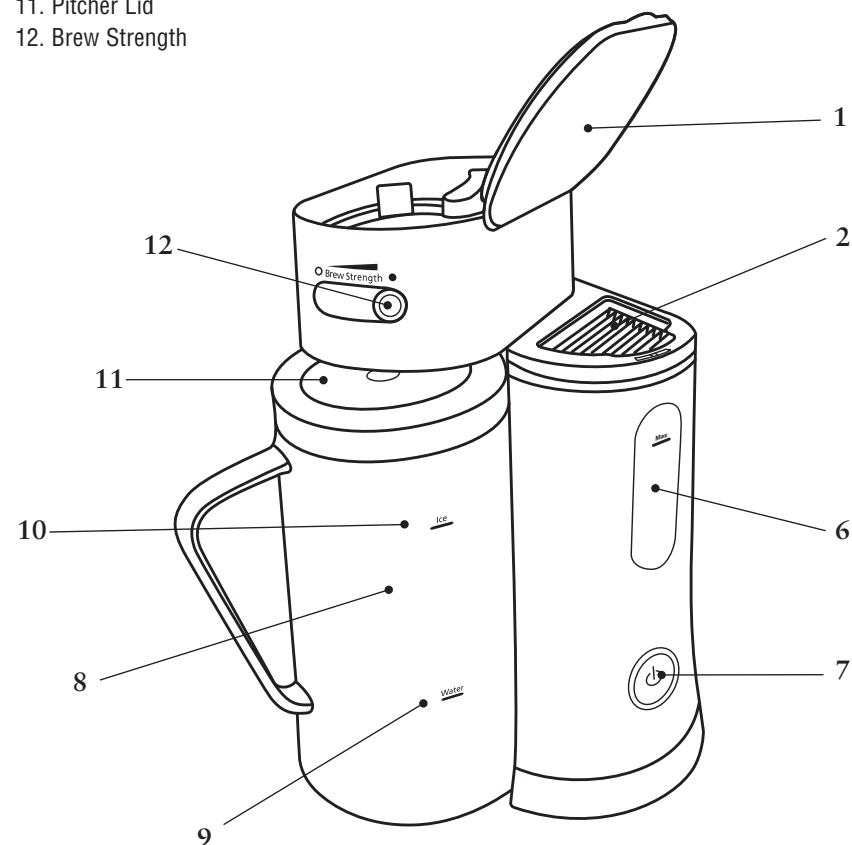
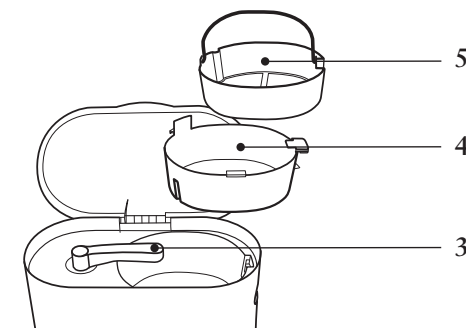
Before you begin to use your iced tea maker, please make sure to read all of the instructions in this manual carefully. The proper care and maintenance of this iced tea maker will ensure its long life and trouble-free operation. Save these instructions and refer to them for cleaning and care tips.

TABLE OF CONTENTS

Important Safeguards	1
Additional Precautions When Using the Iced Tea Maker	2
Special Cord Set Instructions	2
Introduction	3
Table of Contents	3
Parts Diagram	4
Iced Tea Maker Features and Benefits	5
Clean Your Iced Tea Maker Before Using the First Time	5-6
Brewing Iced Tea	7
Cleaning and Maintaining Your Iced Tea Maker	8
Service	9
Warranty Information	10

PARTS DIAGRAM

1. Top Lid
2. Water Reservoir
3. Rotating Shower Head
4. Removable Tea Brew Basket
5. Permanent Filter
6. Water Window
7. On/Off Button and Indicator Light
8. 2.5-Quart Pitcher
9. Water Level Markings
10. Ice Level Markings
11. Pitcher Lid
12. Brew Strength



Refer to www.oster.com or 1-800-334-0759 for replacement parts

ICED TEA MAKER FEATURES AND BENEFITS

Your new Oster® Iced Tea Maker has the following features:

- 2.5-Quart Iced Tea Brewing Capacity
- Adjustable Tea Steeping Control – Adjusts the brewing time to create a more full-flavored tea.
- Water Window – Shows amount of water in the reservoir for accurate filling.
- 2.5-Quart Pitcher – Keeps iced tea cold.
- Removable Brew Basket – The brew basket lifts out of the iced tea maker housing for fast and easy cleaning and filling.
- On/Off Button and Indicator Light – Lets you know when your iced tea maker is “on”.
- Automatic Shut-Off – Turns off your iced tea maker when steeping/brewing cycle is complete.
- Water and Ice Markings on Pitcher – Show amount of water to measure for pouring into iced tea maker reservoir and ice needed in the pitcher for a perfect glass of iced tea.
- Uses Teabags or Loose Tea.
- Permanent Filter - Gives you the ability to brew loose tea.

CLEAN YOUR ICED TEA MAKER BEFORE USING THE FIRST TIME

Make sure your first glass of iced tea is as good as can be by cleaning your Oster® Iced Tea Maker before using it for the first time. Just follow these simple steps:

WARNING! To prevent injuries from steam, do not plug in the appliance until you have poured water in the reservoir, the lid is closed and the pitcher is in its place.



1. Open the top lid and remove brew basket.
2. Wash the pitcher, pitcher lid and brew basket in the dishwasher or with a mixture of mild detergent and water. Rinse each thoroughly.
3. Fill the pitcher with water to the top water level mark. Rotate the head of the ice tea maker to open it and pour the water into the water reservoir. Do not overfill.
4. Open the top lid and insert brew basket. Close lid.
5. Fill pitcher to ice marking line.
6. Place the pitcher lid on the pitcher. Slide the pitcher towards the iced tea maker with the pitcher fitting under the Rotating Brew Head.
7. Plug the power cord into an electrical outlet and push the “on” button.

8. When the cycle is complete, your iced tea maker will shut off automatically.
9. Slide the pitcher away from the iced tea maker and discard the water in the sink.

NOTE: Plugging the iced tea maker into an electrical outlet may trigger the brewing cycle since the “on” button may have inadvertently been pushed. Also, if you wish to turn the iced tea maker off during the brewing cycle, just grasp the molded plug and unplug the power cord.



Your iced tea maker is now ready to use. Enjoy it!



BREWING ICED TEA

1. Fill the pitcher with fresh, cold water to the water level marked on the pitcher. Do not overfill.
2. Rotate the brew head and pour water into the water reservoir (Figure 1).
3. Open top lid and add the desired amount of tea. You may also add sugar, lemon or other flavorings to the brew basket to suit your taste.



Figure 1

NOTE: 5-7 bags of tea or 2-3 tbsp. of loose tea is recommended when brewing 2.5 quarts of iced tea.



4. Rotate the shower head position so that it is over the brew basket. Close the top lid (Figure 2).
5. Adjust the steeping lever to your desired brew strength.
6. Fill the pitcher with ice cubes to the ice level marked on the pitcher. If you are low on ice, you may substitute cold water, refilling the pitcher to the WATER level marked on the pitcher. **DO NOT** fill to the ice level as this will cause an overflow when the tea brews.
7. Slide the pitcher towards the iced tea maker and rest flush against the appliance.



Figure 2

NOTE: Make sure the rotating brew head is centered over the pitcher before turning on the iced tea maker.



8. Turn the iced tea maker on by plugging the power cord into an electrical outlet and pushing the “on” button firmly until the ON indicator light is illuminated.
9. When the brewing cycle is complete, the iced tea maker will shut off automatically. Wait 30 seconds, then slide the pitcher away from the appliance and serve your iced tea. Your tea may turn cloudy as it chills due to the presence of naturally occurring tannic acids found in tea.
10. After you are done enjoying your iced tea beverage, wait for the iced tea maker contents to cool down before handling. Then open the lid, rotate the shower head out of the way and remove brew basket. Discard the contents and rinse it with clean water.

CLEANING AND MAINTAINING YOUR ICED TEA MAKER

Cleaning your Oster® Iced Tea Maker

Turn off and unplug cord. Clean only with a damp cloth.

Hard water can leave mineral deposits inside the pitcher and the brew basket. To remove these, fill the brew basket and the pitcher with warm, undiluted white household vinegar. Let soak for 20 minutes, then rinse.

Never use harsh, abrasive cleansers, steel wool pads or other abrasive materials. They may cause scratches which can lead to breakage.

CAUTION! Never immerse the iced tea maker itself in water, in any other liquid or in the dishwasher.



Decalcifying your Oster® Iced Tea Maker

Mineral (calcium/limestone) found in the water will leave deposits in your iced tea maker and will affect its performance. If you notice an increase in steaming or if the pumping action stops before all of the water has been pumped out of the appliance, it's time to clean it. The frequency of cleaning depends on the hardness (mineral content) of your tap water. Please see the following chart:

Suggested Cleaning Interval	
Type of Water	Cleaning Frequency
Soft Water	Every 80 Brew Cycles
Hard Water	Every 40 Brew Cycles

It's recommended that you regularly remove mineral deposits by using undiluted, white household vinegar.

1. Pour one quart of undiluted, white household vinegar into the water reservoir.
2. Place the pitcher lid on the pitcher and slide the pitcher into place under the Rotating Brew Head.
3. Push the “on” button to begin the brewing cycle. After one cup of vinegar has pumped into the pitcher, unplug the iced tea maker. Let it stand for 30 minutes.
4. Plug in the iced tea maker again. Continue brewing process again to pump out the remaining cleaner or vinegar.
5. When the iced tea maker shuts off, unplug it, remove the pitcher and discard the cleaning solution.
6. Fill the pitcher with clean tap water to the water level marked on the pitcher and repeat Steps 1-5 without the cleaning solution. Repeat this process if necessary.

SERVICE

Replacement Parts

- Pitchers – Please call 1-800-334-0759 in the U.S. or 1-800-667-8623 in Canada for information on where you can find a store that carries replacement pitchers or visit www.oster.com

IF YOUR ICED TEA MAKER REQUIRES SERVICE, DO NOT RETURN IT TO THE STORE WHERE YOU PURCHASED IT.

All repairs must be made by Sunbeam or by an authorized Oster® Service Center. If you live in the U.S. or Canada, please call us at the following toll-free telephone numbers to find the location of the nearest authorized service center:

U.S. 1-800-334-0759
Canada 1-800-667-8623

You may also visit our website at www.oster.com for a list of service centers.

To assist us in serving you, please have the iced tea maker model number and date of purchase available when you call. We welcome your questions, comments or suggestions. In all your communications, please include your complete name, address and telephone number and a description of the problem.

1 Year Limited Warranty

Sunbeam Products, Inc. doing business as Jarden Consumer Solutions or if in Canada, Sunbeam Corporation (Canada) Limited doing business as Jarden Consumer Solutions (collectively “JCS”) warrants that for a period of one year from the date of purchase, this product will be free from defects in material and workmanship. JCS, at its option, will repair or replace this product or any component of the product found to be defective during the warranty period. Replacement will be made with a new or remanufactured product or component. If the product is no longer available, replacement may be made with a similar product of equal or greater value. This is your exclusive warranty. Do NOT attempt to repair or adjust any electrical or mechanical functions on this product. Doing so will void this warranty.

This warranty is valid for the original retail purchaser from the date of initial retail purchase and is not transferable. Keep the original sales receipt. Proof of purchase is required to obtain warranty performance. JCS dealers, service centers, or retail stores selling JCS products do not have the right to alter, modify or any way change the terms and conditions of this warranty.

This warranty does not cover normal wear of parts or damage resulting from any of the following: negligent use or misuse of the product, use on improper voltage or current, use contrary to the operating instructions, disassembly, repair or alteration by anyone other than JCS or an authorized JCS service center. Further, the warranty does not cover: Acts of God, such as fire, flood, hurricanes and tornadoes.

What are the limits on JCS's Liability?

JCS shall not be liable for any incidental or consequential damages caused by the breach of any express, implied or statutory warranty or condition.

Except to the extent prohibited by applicable law, any implied warranty or condition of merchantability or fitness for a particular purpose is limited in duration to the duration of the above warranty.

JCS disclaims all other warranties, conditions or representations, express, implied, statutory or otherwise.

JCS shall not be liable for any damages of any kind resulting from the purchase, use or misuse of, or inability to use the product including incidental, special, consequential or similar damages or loss of profits, or for any breach of contract, fundamental or otherwise, or for any claim brought against purchaser by any other party.

Some provinces, states or jurisdictions do not allow the exclusion or limitation of incidental or consequential damages or limitations on how long an implied warranty lasts, so the above limitations or exclusion may not apply to you.

This warranty gives you specific legal rights, and you may also have other rights that vary from province to province, state to state or jurisdiction to jurisdiction.

How To Obtain Warranty Service

In the U.S.A.

If you have any question regarding this warranty or would like to obtain warranty service, please call 1-800-334-0759 and a convenient service center address will be provided to you.

In Canada

If you have any question regarding this warranty or would like to obtain warranty service, please call 1-800-667-8623 and a convenient service center address will be provided to you.

In the U.S.A., this warranty is offered by Sunbeam Products, Inc. doing business as Jarden Consumer Solutions located in Boca Raton, Florida 33431. In Canada, this warranty is offered by Sunbeam Corporation (Canada) Limited doing business as Jarden Consumer Solutions, located at 20 B Hereford Street, Brampton, Ontario L6Y 0M1. If you have any other problem or claim in connection with this product, please write our Consumer Service Department.

PLEASE DO NOT RETURN THIS PRODUCT TO ANY OF THESE ADDRESSES OR TO THE PLACE OF PURCHASE.

PRECAUCIONES

Con el fin de disminuir la posibilidad de un incendio, descarga eléctrica o lesiones, se deben seguir siempre algunas precauciones básicas de seguridad cuando se usen aparatos eléctricos, entre ellas:

1. LEA COMPLETAMENTE LAS INSTRUCCIONES ANTES DE USAR ESTE APARATO.
2. No toque las zonas calientes del aparato. Use los mangos o las perillas.
3. Para evitar descargas eléctricas, no sumerja el cable de la corriente, el enchufe o el aparato en agua ni en otros líquidos.
4. Es necesario que un adulto vigile el uso del aparato cuando haya niños cerca o cuando lo utilicen niños.
5. Desenchufe el cable de la corriente cuando el aparato no se esté utilizando y antes de limpiarlo. Limpie sólo con un trapo húmedo. Permita que el aparato se enfríe antes de poner o quitar piezas y antes de limpiarlo.
6. No utilice aparatos con el cable de la corriente o el enchufe dañados, tampoco lo use si tiene una falla o ha sufrido algún tipo de daño. Para su reparación, ajuste o revisión, lleve este aparato exclusivamente al Centro de Servicio Autorizado más cercano.
7. El uso de accesorios no recomendados para los productos de la marca Oster® puede ser peligroso u ocasionar lesiones.
8. No use el aparato cuando esté expuesto a los elementos.
9. No deje que el cable de la corriente cuelgue de la mesa o mostrador ni permita que entre en contacto con superficies calientes.
10. No coloque este aparato sobre o cerca de un calentador de gas o eléctrico o en un horno caliente.
11. Para desconectar el aparato, desenchufe el cable de la corriente.
12. Este aparato está diseñado exclusivamente para su uso en el hogar.
13. Coloque el aparato en una superficie dura y plana para permitir que el aire fluya por debajo.
14. Uso y cuidado de la jarra
 - La jarra se puede romper si no se cumplen con lo siguiente:
 - a. La jarra se diseñó para utilizarse con esta máquina para té helado y no se debe usar en una estufa ni en ningún tipo de horno.
 - b. No use una jarra rota ni con cuarteaduras.
 - c. No limpie la jarra con agentes limpiadores, fibras metálicas ni materiales abrasivos.
 - d. No la golpee, raspe ni maneje sin el debido cuidado.
15. No use la máquina de manera diferente al uso previsto.
16. Pueden resultar quemaduras si la tapa se retira durante los ciclos de preparación.

¡PRECAUCIÓN! Para reducir el riesgo de incendio o descargas eléctricas, no quite ninguna de las cubiertas de servicio. Adentro no hay partes útiles para el usuario. Sólo el personal autorizado podrá reparar el aparato.



Lea cuidadosamente TODAS las instrucciones del manual antes de empezar a usar este aparato. El cuidado y mantenimiento adecuados le ayudará a prolongar la vida útil del aparato y a no tener problemas con su uso. Conserve estas instrucciones y consúltelas con frecuencia para obtener consejos sobre el cuidado y limpieza del aparato.

PRECAUCIONES ADICIONALES PARA EL USO DE LA MÁQUINA PARA TÉ HELADO

- Coloque el aparato lejos de las orillas de la mesa o mostrador para evitar contacto accidental o caídas.
- No toque las superficies del aparato que puedan emitir vapor o calentarse cuando la máquina para té helado esté encendida, en particular la canasta para filtrado y el depósito de agua.
- La tapa superior debe estar cerrada en todo momento mientras el aparato esté filtrando.
- NO utilice la máquina para preparar té helado a menos que la jarra esté bien colocada en su lugar y tenga la tapa puesta.
- NO mueva el aparato mientras esté en funcionamiento, hágalo hasta que se haya enfriado. Puede salir vapor de la canasta para filtrado cuando el aparato esté en etapa de enfriamiento.
- NO coloque manteles ni cualquier otro tipo de tela debajo del aparato, de lo contrario se limitará el flujo de aire por debajo de éste.
- NO jale ni sacuda el cable de la corriente cuando desconecte el aparato, sujete la clavija para desenchufarla.
- Nunca recaliente una bebida pasándola por el sistema de preparación de bebidas del aparato.
- NO sumerja el aparato en agua. Esto puede ocasionar una descarga eléctrica o electrocución, dañándolo permanentemente y anulando la garantía.

INSTRUCCIONES ESPECIALES SOBRE EL USO DE EXTENSIONES

1. El aparato se entrega con un cable de corriente corto para reducir el peligro de que una persona o una mascota se enrede o se tropiece con un cable más largo.
2. Puede comprar una extensión si toma las debidas precauciones para su uso.
3. Si se usa una extensión, el rango eléctrico marcado en el cable deberá ser de al menos 10 amperes y 120 voltios. El cable con la extensión se deberá acomodar de tal forma que no cuelgue de la barra o la mesa y pueda caerse accidentalmente o ser jalado por un niño.

Este aparato tiene un enchufe polarizado (una punta es más ancha que la otra). Para reducir el riesgo de descargas eléctricas, este enchufe se conectará sólo en la forma correcta en un tomacorriente polarizado. Si el enchufe no entra completamente en el tomacorriente, volteeelo. Si aún así no entra, contacte a un electricista calificado. No haga ninguna modificación al enchufe.

CONSERVE ESTAS INSTRUCCIONES

INTRODUCCIÓN

Felicitaciones por la compra de su nueva máquina para té helado Oster. Su nueva máquina para té helado le permitirá preparar un delicioso té helado en casa.

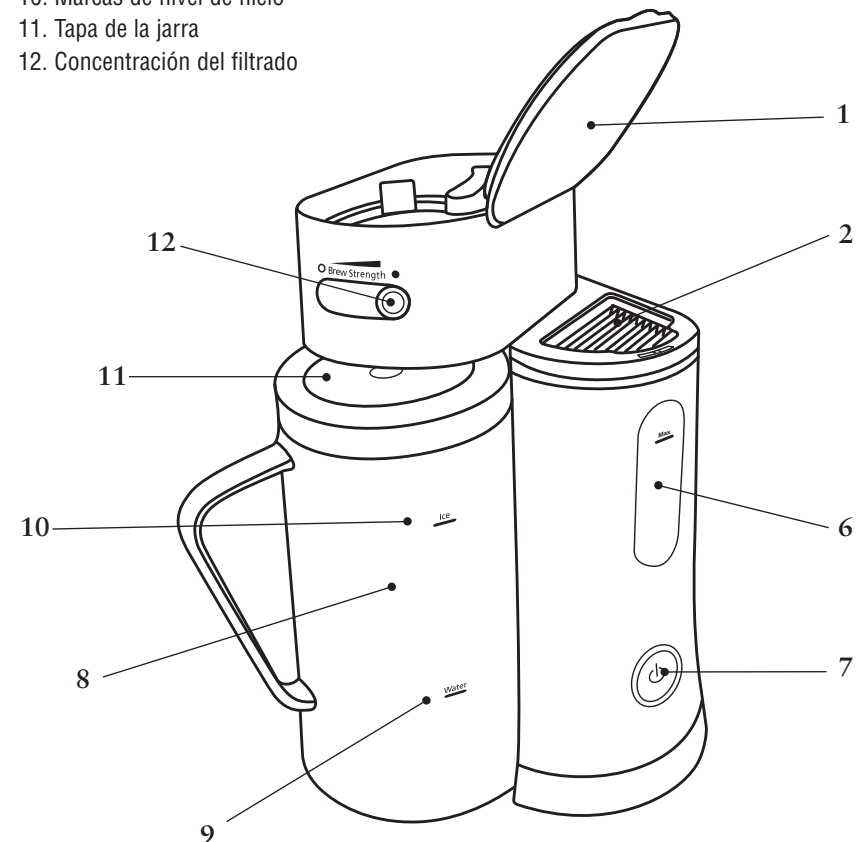
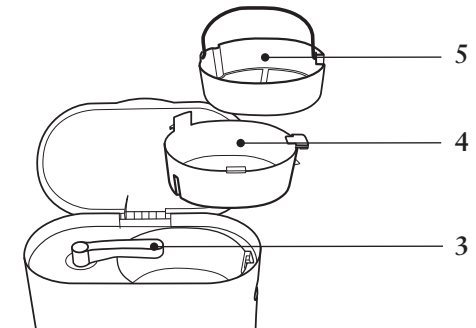
Lea cuidadosamente todas las instrucciones del manual antes de empezar a usar la máquina para té helado. El cuidado y mantenimiento adecuados le ayudarán a prolongar la vida útil de la máquina y a no tener problemas con su uso. Conserve estas instrucciones y consúltelas para obtener consejos sobre el cuidado y limpieza del aparato.

ÍNDICE

Precauciones	11
Precauciones adicionales para el uso de la máquina para té helado	12
Instrucciones especiales sobre el uso de extensiones	12
Introducción	13
Índice	13
Diagrama de partes	14
Características y ventajas de la máquina para té helado	15
Limpie su máquina para té helado antes de usarla por primera vez	15-16
Preparación de té helado	17
Limpieza y mantenimiento de su máquina para té helado	18
Servicio	19
Información sobre la garantía	20

DIAGRAMA DE PARTES

1. Tapa del depósito de agua
2. Depósito de agua
3. Aspersor giratorio
4. Canasta para filtrado desmontable
5. Filtro Permanente
6. Ventana del agua
7. Botón de encendido/apagado y luz indicadora
8. Jarra de 3/4 de galón
9. Marcas de nivel de agua
10. Marcas de nivel de hielo
11. Tapa de la jarra
12. Concentración del filtrado



Consulte www.oster.com o 1-800-334-0759 para las piezas de repuesto

CARACTERÍSTICAS Y VENTAJAS DE LA MÁQUINA PARA TÉ HELADO

Su nueva máquina para té helado Oster® tiene las siguientes características:

- Capacidad de preparación de té helado de 2.5 cuartos
- Control de remojo de té ajustable – Ajusta el tiempo de preparación para obtener un té con más sabor.
- Ventanilla para el agua – Muestra la cantidad de agua en el depósito para un llenado adecuado.
- Jarra de 2.5 cuartos. Mantiene el té helado.
- Canasta para filtrado desmontable – La canasta para filtrado se puede sacar de la máquina para con el fin de limpiarla y llenarla más rápida y fácilmente.
- Botón de encendido/apagado (on/off) y luz indicadora – Le permite saber cuándo está encendida (on) su máquina para té.
- Apagado automático – Apaga la máquina para té helado cuando se completa el ciclo de remojo/preparación.
- Marcas de nivel de agua y hielo en la jarra – Muestran la cantidad de agua a medir para verter en el depósito de la máquina para té helado y el hielo necesario en la jarra para un vaso de té helado perfecto.
- Se pueden usar bolsas de té o té suelto.
- Permanent Filter – Gives you the ability to brew loose tea.

LIMPIE SU MÁQUINA PARA TÉ HELADO ANTES DE USARLA POR PRIMERA VEZ

Asegúrese de que su primer vaso de té helado sea tan bueno como sea posible limpiando su máquina para té Oster® antes de utilizarla por primera vez. Sólo siga estos sencillos pasos:

¡PRECAUCIÓN! Para prevenir lesiones debido al vapor, no conecte el aparato hasta que haya vertido el agua en el depósito, la tapa esté cerrada y la jarra esté en su lugar.



1. Abra la tapa superior y remueva la canasta de filtrado
2. Lave la jarra, la tapa de la jarra y la canasta para filtrado en el lavavajillas o con una mezcla de detergente suave y agua. Enjuague bien cada parte
3. Llene la jarra con agua hasta la marca de nivel de agua. Rote la cabeza de la máquina para té helado para que se abra y vacíe el agua en el depósito para agua. No llene en exceso.

4. Abra la tapa superior e inserte la canasta de filtrado. Cierre la tapa
5. Llene la jarra hasta la línea indicadora de hielo.
6. Coloque la tapa sobre la jarra. Deslice la jarra hacia la maquina de té helado de modo que la jarra entre debajo del aspersor giratorio de filtrado.
7. Conecte el cable de corriente en un enchufe eléctrico y oprima el botón “on” (encendido).
8. Cuando el ciclo se complete, la máquina para té helado se apagará automáticamente.
9. Deslice la jarra fuera de la máquina de té helado y deseche el agua en el lavabo

NOTA: Al conectar la máquina para té helado en un tomacorriente eléctrico, es posible que se active el ciclo de preparación si el botón de encendido se encuentra oprimido. Además, si usted desea apagar la máquina para té helado durante el ciclo de preparación, sólo sujete el enchufe y desconecte el cable de la corriente.

Su máquina para té helado está lista para usarse. ¡Disfrútela!



FILTRADO DE TÉ HELADO

1. Llene la jarra con agua fresca y fría hasta la marca del nivel de agua en la jarra. No llene en exceso.
2. Gire la cabeza de filtrado y eche el agua en el reservorio de agua. (Figura 1)
3. Abra la tapa superior e añada la cantidad deseada de té. También puede añadir azúcar, limón u otro saborizante en la canasta de filtrado, si así lo desea.



Figura 1

NOTA: Se recomienda de 5 a 7 bolsitas de té o 2 a 3 cucharadas de té suelto para preparar 2.5 cuartos de té helado.

4. Gire la cabeza del aspersor de modo que esté encima de la canasta de filtrado. Cierre la tapa superior (figura 2)
5. Ajuste la palanca de control de remojo de té para obtener la concentración de filtrado deseado.
6. Llene la jarra con cubos de hielo hasta la marca de nivel de hielo en la jarra. Si tiene poco hielo, puede sustituirlo con agua helada llenando la jarra hasta la marca de nivel de AGUA en la jarra. **NO LLENE** hasta la marca de nivel del hielo puesto que esto causará un llenado en exceso cuando el té filtre.



Figura 2

7. Deslice la jarra hacia la máquina de té helado y reste de modo que no sobresalga del aparato.

NOTA: Asegúrese que la cabeza giratoria de filtrado este centrada sobre la jarra antes de encender la máquina para té helado.

8. Encienda la máquina para té helado enchufando el cordón eléctrico en un tomacorriente y empujando el botón de encendido “on” firmemente hasta que la luz indicadora de encendido ON esté iluminada.
9. Cuando el ciclo de filtrado haya completado, la máquina para té helado se apagará automáticamente. Espere 30 segundos, luego deslice la jarra fuera del aparato y sirva su té helado. Su té podría ponerse turbio al helar, debido a la presencia de ácido tánico natural presente en el té.
10. Después de haber disfrutado su bebida de té helado, espere que el contenido de té en la máquina de té helado se enfríe antes de manipular. Luego abra la tapa, gire la cabeza del aspersor hacia un lado y remueva la canasta de filtrado. Deseche el contenido y enjuague con agua limpia.

LIMPIEZA Y MANTENIMIENTO DE SU MÁQUINA PARA TÉ HELADO

Limpieza de su máquina para té helado Oster®

Apague y desenchufe el cable. Limpie solamente con un paño de tela húmeda. El agua dura puede dejar depósitos minerales dentro de la jarra y la canasta para filtrado. Para quitarlos, llene la canasta para filtrado y la jarra con vinagre blanco tibio y sin diluir. Remoje durante 20 minutos y enjuague.

Nunca use limpiadores duros o abrasivos, fibras metálicas ni otros materiales abrasivos. Esto podría ocasionar raspones que lleven a rupturas.

¡PRECAUCIÓN! Nunca meta la máquina para té helado en agua u otro líquido ni en un lavavajillas



Descalcificación de su máquina para té helado Oster®

Los minerales (calcio/caliza) que se encuentran en el agua dejarán depósitos en su máquina para té helado y afectarán su funcionamiento. Si usted nota un incremento en la producción de vapor o si la acción de bombeo se detiene antes de que toda el agua se haya bombeado del aparato, es tiempo de limpiarlo. La frecuencia de limpieza depende de la dureza (contenido de minerales) del agua que use. Ver el siguiente cuadro:

Intervalos de limpieza sugeridos	
Tipo de agua	Frecuencia de la limpieza
Agua suave	Cada 80 ciclos de preparación
Agua dura	Cada 40 ciclos de preparación

Se recomienda que remueva los depósitos minerales regularmente usando vinagre blanco de cocina sin diluir.

1. Vacíe un cuarto de vinagre blanco sin diluir en el reservorio de agua.
2. Coloque la tapa en la jarra y deslice la jarra debajo de la cabeza giratoria de filtrado.
3. Apriete el botón de encendido “on” para iniciar el ciclo de filtrado. Una vez que una taza de vinagre haya sido bombeada en la jarra, desenchufe la máquina de té helado. Deje reposar por 30 minutos.
4. Conecte de nuevo la máquina para té helado. Continúe el proceso de preparación para bombear el limpiador o el vinagre restantes.
5. Cuando se apague la máquina para té helado, desconéctela, quite la jarra y deseche la solución limpiadora.
6. Llene la jarra con agua fresca hasta la marca de nivel de galón y repita los pasos 1 al 5 sin la solución limpiadora. Repita este proceso si es necesario.

SERVICIO

Piezas de repuesto

- Jarras – Por favor llame al 1-800-334-0759 en los Estados Unidos o al 1-800-667-8623 en Canadá para información de tiendas donde pueda encontrar jarras de repuesto o visite www.oster.com.

SI SU MÁQUINA PARA TÉ HELADO NECESITA SERVICIO, NO LO REGRESE A LA TIENDA DONDE LA COMPRÓ.

Todas las reparaciones las debe hacer Sunbeam o un Centro de Servicio Oster® autorizado. Si usted vive en Estados Unidos o Canadá, llame a los siguientes números de teléfono gratuitos para encontrar la ubicación del centro de servicio autorizado más cercano:

ESTADOS UNIDOS: 1-800-334-0759
Canadá: 1-800-667-8623

También puede visitar nuestro sitio en Internet en www.oster.com para encontrar una lista de centros de servicio.

Para ayudarnos a servirle, tenga a la mano al llamarnos el número de modelo de su máquina para té helado y la fecha de compra. Agradeceremos sus preguntas, comentarios o sugerencias. En todas las comunicaciones, incluya por favor su nombre completo, dirección y número de teléfono y una descripción del problema.

Garantía Limitada de 1 Año

Sunbeam Products, Inc. operando bajo el nombre de Jarden Consumer Solutions, o en Canadá, Sunbeam Corporation (Canada) Limited operando bajo el nombre de Jarden Consumer Solutions, (en forma conjunta, "JCS"), garantiza que por un período de un año a partir de la fecha de compra, este producto estará libre de defectos de materiales y mano de obra. JCS, a su elección, reparará o reemplazará este producto o cualquier componente del mismo que presente defectos durante el período de garantía. El reemplazo se realizará por un producto o componente nuevo o reparado. Si el producto ya no estuviera disponible, se lo reemplazará por un producto similar de valor igual o superior. Ésta es su garantía exclusiva. No intente reparar o ajustar ninguna función eléctrica o mecánica de este producto. Al hacerlo eliminará ésta garantía.

La garantía es válida para el comprador minorista original a partir de la fecha de compra inicial y la misma no es transferible. Conserve el recibo de compra original. Para solicitar servicio en garantía se requiere presentar un recibo de compra. Los agentes y centros de servicio de JCS o las tiendas minoristas que venden productos de JCS no tienen derecho a alterar, modificar ni cambiar de ningún otro modo los términos y las condiciones de esta garantía.

Esta garantía no cubre el desgaste normal de las piezas ni los daños que se produzcan como resultado de uso negligente o mal uso del producto, uso de voltaje incorrecto o corriente inapropiada, uso contrario a las instrucciones operativas, y desarme, reparación o alteración por parte de un tercero ajeno a JCS o a un Centro de Servicio autorizado por JCS. Asimismo, la garantía no cubre actos fortuitos tales como incendios, inundaciones, huracanes y tornados.

¿Cuál es el límite de responsabilidad de JCS?

JCS no será responsable de daños incidentales o emergentes causados por el incumplimiento de alguna garantía o condición expresa, implícita o legal.

Excepto en la medida en que lo prohíba la ley aplicable, cualquier garantía o condición implícita de comerciabilidad o aptitud para un fin determinado se limita, en cuanto a su duración, al plazo de la garantía antes mencionada.

JCS queda exenta de toda otra garantías, condiciones o manifestaciones, expresa, implícita, legal o de cualquier otra naturaleza.

JCS no será responsable de ningún tipo de daño que resulte de la compra, uso o mal uso del producto, o por la imposibilidad de usar el producto, incluidos los daños incidentales, especiales, emergentes o similares, o la pérdida de ganancias, ni de ningún incumplimiento contractual, sea de una obligación esencial o de otra naturaleza, ni de ningún reclamo iniciado contra el comprador por un tercero.

Algunas provincias, estados o jurisdicciones no permiten la exclusión o limitación de los daños incidentales o emergentes ni las limitaciones a la duración de las garantías implícitas, de modo que es posible que la exclusión o las limitaciones antes mencionadas no se apliquen en su caso.

Esta garantía le otorga derechos legales específicos y es posible que usted tenga otros derechos que varían de un estado, provincia o jurisdicción a otro.

Cómo solicitar el servicio en garantía

En los Estados Unidos

Si tiene alguna pregunta sobre esta garantía o desea recibir servicio de garantía, llame al 1-800-334-0759 y podrá obtener la dirección del centro de servicio que le resulte más conveniente.

En Canadá

Si tiene alguna pregunta sobre esta garantía o desea recibir servicio de garantía, llame al 1-800-667-8623 y podrá obtener la dirección del centro de servicio que le resulte más conveniente.

En los Estados Unidos, esta garantía es ofrecida por Sunbeam Products, Inc. operando bajo el nombre de Jarden Consumer Solutions, Boca Ratón, Florida 33431. En Canadá, esta garantía es ofrecida por Sunbeam Corporation (Canada) Limited operando bajo el nombre de Jarden Consumer Solutions, 20 B Hereford Street, Brampton, Ontario L6Y 0M1. Si usted tiene otro problema o reclamo en conexión con este producto, por favor escriba al Departamento de Servicio al Consumidor.

POR FAVOR NO DEVUELVA ESTE PRODUCTO A NINGUNA DE ESTAS DIRECCIONES NI AL LUGAR DE COMPRA.

