



For product questions contact:
Sunbeam Consumer Service

USA : 1.800.334.0759
Canada : 1.800.667.8623
www.oster.com

© 2017 Sunbeam Products, Inc. All rights reserved.
Distributed by Sunbeam Products, Inc., Boca Raton, Florida 33431.

CBA-100617

Para preguntas sobre los productos, llamar a:
Sunbeam Consumer Service

EE.UU.: 1.800.334.0759
Canadá: 1.800.667.8623
www.oster.com

© 2017 Sunbeam Products, Inc. Todos los derechos reservados.
Distribuido por Sunbeam Products, Inc., Boca Raton, Florida 33431.



User Manual **Countertop Oven**
Manual de Instrucciones **Horno de Mostrador**

MODEL/MODELO **TSSTTVVG01 &
TSSTTVGS1**



IMPORTANT SAFEGUARDS

When using electrical appliances, basic safety precautions should always be followed to reduce the risk of fire, electric shock, and/or injury to persons including the following:

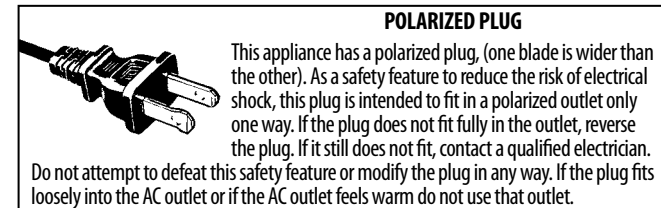
1. Read all instructions before using this product.
2. ⚠ This appliance generates heat during use. Do not touch hot surfaces. Use handles or knobs. Always protect your hands with non-slip oven mitts or similar.
3. To protect against electric shock, do not place or immerse cord, plugs, or appliance in water or other liquid.
4. This appliance is not to be used by children or by persons with reduced physical, sensory or mental capabilities.
5. Close supervision is necessary when any appliance is used near children. Children should not play with the appliance.
6. Unplug from outlet when not in use, before putting on or taking off parts and before cleaning. Allow to cool before putting on or taking off parts, and before cleaning. To disconnect, turn any control to OFF, then unplug power cord from outlet. Do not disconnect by pulling on cord. Always grasp the plug and pull to disconnect.
7. Do not operate any appliance with a damaged cord or plug or after the appliance malfunctions, or has been damaged in any manner. Do not attempt to replace or splice a damaged cord. Return appliance to the manufacturer (see warranty) for examination, repair or adjustment.
8. The use of accessory attachments not recommended by the appliance manufacturer may cause injuries.
9. Do not use outdoors or for commercial purposes.
10. Do not let cord hang over edge of table or counter, or touch hot surfaces.
11. Do not place on or near wet surfaces, or heat sources such as a hot gas or electric burner, or in a heated oven.
12. Extreme caution must be used when moving an appliance or removing a pan, containing hot oil or other hot liquids. Always protect your hands with non-slip oven mitts or similar.
13. Do not use appliance for other than intended use. Misuse can cause injuries. Intended for household countertop use only. Keep 6 inches (152 mm) clear from the wall and on all sides. Always use appliance on a dry, stable, level surface.
14. Oversize foods or metal utensils must not be inserted in a countertop oven as they may create a fire or risk of electric shock.
15. A fire may occur if the countertop oven is covered, touching or near flammable materials, including curtains, draperies, towels, walls, and the like, when in operation. Do not store any item on top of the appliance when in operation.
16. Do not clean with metal scouring pads. Pieces can break off the pad and touch electrical parts, creating a risk of electric shock.
17. Extreme caution should be exercised when using containers constructed of materials other than metal or glass.
18. Do not store any materials, other than manufacturers recommended accessories, in this oven when not in use.
19. Do not place any of the following materials in the oven: paper, cardboard, plastic, or any materials that may catch fire or melt.

20. Do not cover crumb tray or any part of the oven with metal foil. This will cause overheating of the oven.
21. Empty the crumb tray after each use.
22. The glass door is made of tempered glass. Always inspect the glass door for chips, cracks or any other damage. Do not use the countertop oven if the glass door is damaged, as the glass may shatter during use.
23. Do not use with a programmer, timer, wireless plug adapter or outlet that allows control remotely, or connect to a circuit that is regularly switched on and off by the utility.

SAVE THESE INSTRUCTIONS

HOUSEHOLD USE ONLY

North American models with polarized plugs:



POWER CORD INSTRUCTIONS:

A short power-supply cord or detachable power-supply cord is provided to reduce risks resulting from becoming entangled in or tripping over a longer cord. Longer detachable power-supply cords or extension cords are available and may be used if care is exercised in their use. If a long detachable power-supply cord or extension cord is used:

- a. The marked electrical rating of the cord set or extension cord should be at least as great as the electrical rating of the appliance;
- b. The cord should be arranged so that it will not drape over the countertop or tabletop where it can be pulled on by children or tripped over unintentionally; and
- c. If the appliance is of the grounded type, the cord set or extension cord should be a grounding-type 3-wire cord.

Do not pull, twist or otherwise abuse the power cord.

NOTICES

1. Some countertop and table surfaces are not designed to withstand the prolonged heat generated by certain appliances. Do not set the heated unit on a finished wood table. We recommend placing a hot pad or trivet under your countertop oven to prevent possible damage to the surface.
2. During initial use of this appliance, some slight smoke and/or odor may be detected. This is normal with many heating appliances and will not recur after a few uses.

WELCOME

Congratulations on your purchase of an OSTER® Countertop Oven! If you require service on your OSTER® Countertop Oven, do not return to place of purchase. Please contact us at www.oster.com or 1.800.334.0759.

FEATURES OF YOUR COUNTERTOP OVEN

(See Figure 1)

- | | |
|------------------------------------|--------------------|
| 1. Temperature Control Dial | 5. Stay-On Setting |
| 2. Toast Setting | 6. Indicator Light |
| 3. Broil Setting | 7. Baking Pan |
| 4. Toast Color Control /Timer Dial | 8. Crumb Tray |

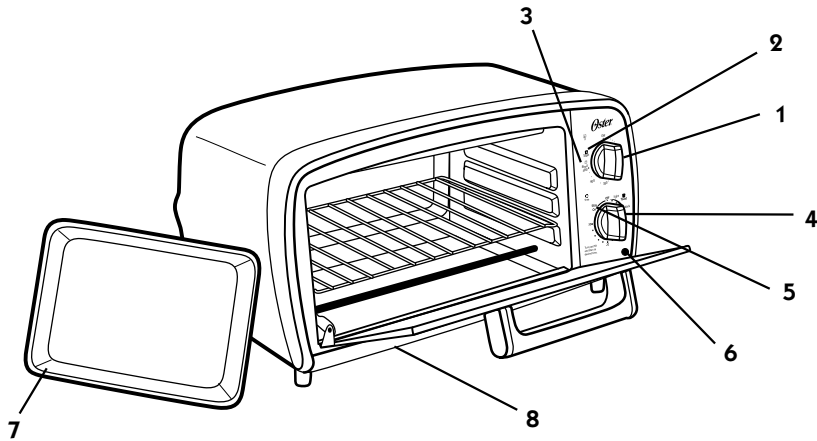
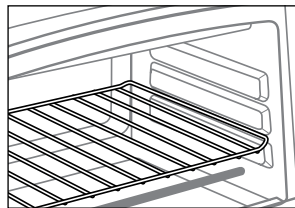
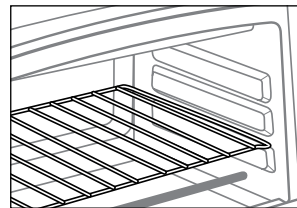


FIGURE 1



RACK IN BAKE POSITION



RACK IN BROIL/TOAST POSITION

OPERATING INSTRUCTIONS

Your Oster® Countertop Oven/Broiler is equipped with all the options of a full-size oven in a countertop appliance; toasts, bakes and broils.

NOTE: During initial start up you may detect a slight smell and/or smoke. Turn the temperature to max and let run for approximately 5 minutes.

TO OPEN THE COUNTERTOP OVEN DOOR:

Step 1: Grab the center of the handle underhanded with fingertips (See Figure 2).

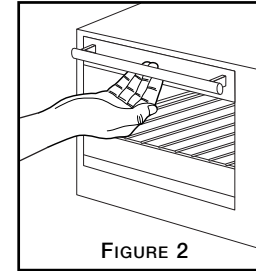


FIGURE 2

Step 2: Pull down the countertop oven door carefully (See Figure 3).

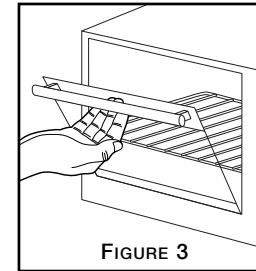


FIGURE 3

CAUTION: This appliance generates heat during use. Do not touch hot surfaces. Always use handles or knobs per above instructions.

HOW TO TOAST

1. Place oven rack in Broil/Toast position. Place food on rack.
2. Turn function knob to Toast.
3. Rotate Toast Color Control/Timer Dial clockwise past 10 minutes then back to desired toast shade.

IMPORTANT

When choosing Toast color light, medium (set between light and dark) and dark, always rotate timer over 10 minutes and then rotate back to Dark, Medium or Light. This will ensure that the timer operates correctly and safely. When the toast cycle is finished the bell will ring and the electrical power is automatically turned off. To stop the cycle at any time, turn the timer counterclockwise to the “Off” position and the bell will ring.

In this cycle both the top and bottom heating elements operate, however they may **not** glow red hot. Please note this is normal and they are operating properly.

BAKING

1. Place the food on the baking pan and then place the pan on the top of the Wire Rack in the oven. Close the oven door.

NOTE: We suggest to always preheat the oven at this “Baking” setting before placing the food inside.

2. Rotate the Temperature Dial to the desired temperature.
3. The Timer Dial is the On/Off Switch.
4. After rotating the Temperature Dial to your desired temperature, then you must select from the following options on the Timer Dial.

For items requiring shorter baking times, rotate the Timer Dial clockwise (up to 30 min). At the sound of the bell, the bake function will automatically turn “Off.”

– OR –

For longer baking times, rotate the Timer Dial counterclockwise to the “Stay On” setting. Baking will continue until the Timer Dial is manually turned to the “Off” position and the bell will sound.

During this cycle, both the top and bottom heating elements operate. **NOTE:** Always monitor the food at this setting to ensure that you are not overcooking. Do not use oven plastic or paper cooking bags in the countertop oven.

BROILING – TOP BROWN

1. Place the food on the baking pan and then place the pan on the top of the wire rack in the oven. Close the oven door.
2. Rotate the Temperature Dial clockwise to the “Broil” position.
3. The Timer Dial is the On/Off switch. After rotating the Temperature Dial to the “Broil” position, select the Timer Dial with the following options.

For items requiring short broil times, rotate the Timer Dial clockwise (up to 30 minutes). At the sound of the bell, the broil function will automatically turn “Off.”

– OR –

For longer broiling times, rotate the Timer Dial counterclockwise to the “Stay On” setting. The broiling will continue until the Timer Dial is manually turned to the “Off” position and the bell will sound. In this cycle only the upper heating elements operate, however they may **not** glow red hot. Please note this is normal and they are operating properly.

NOTE: Always monitor the food at this setting to ensure that you are not overcooking. We suggest using the Timer as food can burn quickly at this setting. When broiling, turn food over for even cooking. Food should not be placed directly on the wire rack. For Top Browning simply broil as long as desired.

NOTE: Do not preheat, Do not allow aluminum foil to touch heating elements. Allow one inch between heating element and food.

CARE AND CLEANING

CAUTION: DO NOT IMMERSE IN LIQUIDS.

Wipe oven with damp cloth and dry. Before using your Oster® Countertop Oven/Broiler, wash all of the non-electrical accessories and the wire rack and baking pan in hot water with detergent or soap. Always make sure that the appliance is unplugged and cool before cleaning.

This appliance has no user serviceable parts. Any servicing beyond that described in the Cleaning Section should be performed by an Authorized Service Representative only. See Warranty Section.

CLEANING THE WIRE RACK

The wire rack can be removed for easy cleaning. Open the oven door and tilt upward slightly, pull the wire rack toward you until it slides out completely. Once the rack is removed, clean the interior with a damp cloth. To replace the wire rack, open the oven door and tilt upward slightly and slide the rack into the two rack grooves at either side of the oven chamber, push straight to the back of the oven chamber. Ensure that the automatic door hooks are in the correct position to push in the wire rack towards the rear of the oven chamber. The exterior may be wiped with a damp cloth. Remember, do not place the entire unit in water or any liquid. **DO NOT WIPE THE HEATING ELEMENTS** – They are self-cleaning.

CLEANING THE BOTTOM OF THE CRUMB TRAY

This appliance has a removable interior crumb tray at the bottom of the baking chamber. First, unplug this appliance and allow to cool. To clean out the crumbs, simply lift the crumb tray and pull out of the Countertop Oven/Broiler.

DO NOT use the dishwasher to clean any of the accessories which are included with these products.

DO NOT use any abrasive cleaning products.

TO PREVENT COUNTERTOP FROM BEING DAMAGED, THE COUNTERTOP OVEN/BROILER MUST BE OPERATED WITH THE CRUMB TRAY IN PLACE AND CLEANED OF EXCESS FOOD. NEVER OPERATE YOUR COUNTERTOP OVEN/BROILER WITH THE OVEN DOOR OPEN.

One-Year Limited Warranty

Sunbeam Products, Inc., or if in Canada, Sunbeam Corporation (Canada) Limited, (collectively “Sunbeam”) warrants that for a period of one year from the date of purchase, this product will be free from defects in material and workmanship. Sunbeam, at its option, will repair or replace this product or any component of the product found to be defective during the warranty period. Replacement will be made with a new or remanufactured product or component. If the product is no longer available, replacement may be made with a similar product of equal or greater value. This is your exclusive warranty. Do NOT attempt to repair or adjust any electrical or mechanical functions on this product. Doing so will void this warranty.

This warranty is valid for the original retail purchaser from the date of initial retail purchase and is not transferable. Keep the original sales receipt. Proof of purchase is required to obtain warranty performance. Sunbeam dealers, service centers, or retail stores selling Sunbeam products do not have the right to alter, modify or any way change the terms and conditions of this warranty.

This warranty does not cover normal wear of parts or damage resulting from any of the following: negligent use or misuse of the product, use on improper voltage or current, use contrary to the operating instructions, disassembly, repair or alteration by anyone other than Sunbeam or an authorized Sunbeam service center. Further, the warranty does not cover: Acts of God, such as fire, flood, hurricanes and tornadoes.

What are the limits on Sunbeam’s Liability?

Sunbeam shall not be liable for any incidental or consequential damages caused by the breach of any express, implied or statutory warranty or condition.

Except to the extent prohibited by applicable law, any implied warranty or condition of merchantability or fitness for a particular purpose is limited in duration to the duration of the above warranty.

Sunbeam disclaims all other warranties, conditions or representations, express, implied, statutory or otherwise.

Sunbeam shall not be liable for any damages of any kind resulting from the purchase, use or misuse of, or inability to use the product including incidental, special, consequential or similar damages or loss of profits, or for any breach of contract, fundamental or otherwise, or for any claim brought against purchaser by any other party.

Some provinces, states or jurisdictions do not allow the exclusion or limitation of incidental or consequential damages or limitations on how long an implied warranty lasts, so the above limitations or exclusion may not apply to you.

This warranty gives you specific legal rights, and you may also have other rights that vary from province to province, state to state or jurisdiction to jurisdiction.

How To Obtain Warranty Service

In the U.S.A.

If you have any question regarding this warranty or would like to obtain warranty service, please call 1.800.334.0759 and a convenient service center address will be provided to you.

In Canada


If you have any question regarding this warranty or would like to obtain warranty service, please call 1.800.667.8623 and a convenient service center address will be provided to you.

In the U.S.A., this warranty is offered by Sunbeam Products, Inc., located in Boca Raton, Florida 33431. In Canada, this warranty is offered by Sunbeam Corporation (Canada) Limited, located at 20 B Hereford Street, Brampton, Ontario L6Y 0M1. If you have any other problem or claim in connection with this product, please write our Consumer Service Department.

PLEASE DO NOT RETURN THIS PRODUCT TO ANY OF THESE ADDRESSES OR TO THE PLACE OF PURCHASE.

PRECAUCIONES IMPORTANTES

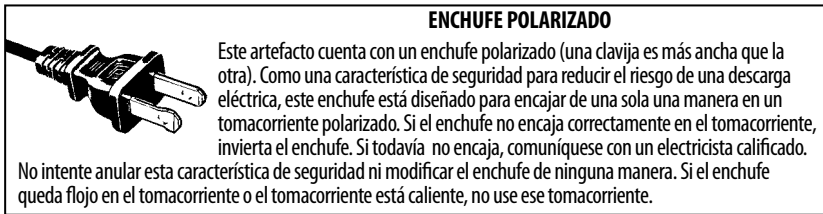
Cuando se utiliza cualquier artefacto eléctrico, siempre se deben seguir precauciones básicas de seguridad para reducir el riesgo de incendio, descarga eléctrica y/o lesiones a personas, incluyendo lo siguiente:

1. Lea todas las instrucciones antes de usar este producto.
2.  Este artefacto genera calor durante su uso. No toque las superficies calientes. Utilice las asas o perillas. Siempre proteja sus manos con guantes de cocina antideslizantes o similares.
3. Para protegerse contra descargas eléctricas, no coloque o sumerja el cable, el enchufe o el artefacto en agua u otro líquido.
4. Este artefacto no debe ser utilizado por niños o personas con capacidades físicas, sensoriales o mentales reducidas.
5. Es necesaria la supervisión cercana cuando se utiliza cualquier artefacto cerca de los niños. Los niños no deben jugar con el artefacto.
6. Desconecte la unidad del tomacorriente cuando no la esté utilizando, antes de colocarle o retirarle piezas y antes de limpiarla. Permita que se enfríe antes de colocarle o retirarle las piezas, y antes de limpiarla. Para desconectarla, gire cualquier control a la posición de apagado (OFF), luego desenchufe el cable del tomacorriente. No lo desconecte halando el cable. Siempre agarre el enchufe y hálelo para desconectarlo.
7. No utilice ningún artefacto con un cable o enchufe dañado o después de que el artefacto funcione mal, o se haya dañado de alguna manera. No intente reemplazar o ajustar un cable dañado. Devuelva el artefacto al fabricante (ver garantía) para su revisión, reparación o ajuste.
8. El uso de accesorios no recomendados por parte del fabricante del artefacto puede causar lesiones.
9. No use este artefacto en ambientes exteriores o con fines comerciales.
10. No deje que el cable cuelgue sobre el borde de la mesa o mostrador, ni toque superficies calientes.
11. No coloque el artefacto sobre o cerca de superficies húmedas o fuentes de calor como un quemador de gas o eléctrico o un horno de mostrador caliente.
12. Se debe tener extrema precaución al mover un artefacto o retirar una cacerola que contenga aceite caliente u otros líquidos calientes. Siempre proteja sus manos con guantes de cocina antideslizantes o similares.
13. No utilice la unidad para otro uso que no sea el previsto. El uso inadecuado puede causar lesiones. Sólo debe usarse sobre un mostrador doméstico. Mantenga 6 pulgadas (152 mm) de distancia de la pared y de todos los lados. Siempre úselo sobre una superficie seca, estable y nivelada.
14. Los alimentos de gran tamaño o los utensilios de metal no deben colocarse dentro de un horno de mostrador ya que pueden ocasionar un incendio o riesgo de una descarga eléctrica.
15. Podría producirse un incendio si el horno de mostrador está cubierto, tocando o cerca de materiales inflamables, incluyendo cortinas, tapices, toallas, paredes y similares, cuando esté en funcionamiento. No coloque nada encima de la unidad cuando ésta se encuentre en funcionamiento.
16. No limpie el artefacto con esponjas metálicas. Las piezas pueden romper la esponja y tocar las partes eléctricas, creando un riesgo de descarga eléctrica.
17. Se debe tener extrema precaución cuando se utilicen recipientes fabricados con materiales distintos del metal o del vidrio.

18. No almacene ningún material en este horno de mostrador cuando no lo esté utilizando, aparte de los accesorios recomendados por el fabricante.
19. No coloque ninguno de los siguientes materiales en el horno de mostrador: papel, cartón, plástico o cualquier material que pueda incendiarse o derretirse.
20. No cubra la bandeja para migas ni ninguna parte del horno de mostrador con papel de aluminio. Esto provocará un sobrecalentamiento del horno de mostrador.
21. Vacíe la bandeja de migas después de cada uso.
22. La puerta de vidrio está hecha de vidrio templado. Siempre inspeccione la puerta de vidrio para detectar si hay fragmentos, grietas o cualquier otro daño. No utilice el horno de mostrador si la puerta de vidrio está dañada, ya que el vidrio puede romperse durante su uso.
23. No utilice con un programador, temporizador, adaptador de enchufe inalámbrico o tomacorriente que permita controlar la unidad a distancia (remotamente), ni lo conecte a un circuito que es encendido o apagado regularmente por el servicio de corriente público.

CONSERVE ESTAS INSTRUCCIONES SÓLO PARA USO DOMÉSTICO

Modelos norteamericanos con enchufes polarizados:



INSTRUCCIONES PARA EL CABLE DE ALIMENTACIÓN:

Se proporciona un cable eléctrico corto o un cable de alimentación removible para evitar los riesgos derivados de enredarse o tropezar con un cable más largo. Los cables de alimentación removibles más largos o los cables de extensión están disponibles y se pueden utilizar si se usan con cuidado. Si se utiliza un cable de alimentación removible más largo o un cable de extensión:

- a. La potencia nominal indicada en el cable de alimentación o el cable de extensión debe ser por lo menos igual a la potencia nominal del artefacto;
- b. El cable debe colocarse de tal manera que no cuelgue del mostrador o de la mesa, donde los niños puedan halarlo o tropezado involuntariamente; y
- c. Si el artefacto es del tipo con conexión a tierra, el cable de alimentación o el cable de extensión debe ser un cable con conexión a tierra de 3 alambres.

No hale, gire ni abuse del cable de alimentación.

PRECAUCIÓN

1. Algunas superficies de mostradores y mesas no están diseñadas para soportar el calor prolongado generado por ciertos electrodomésticos. No coloque la unidad caliente en una mesa de madera acabada. Le recomendamos que coloque un posafuentes o bandeja debajo de su horno de mostrador para evitar posibles daños a la superficie.
2. Durante el primer uso de este artefacto, puede detectarse un ligero olor y/o humo. Esto es normal con muchos artefactos de calefacción y no volverá a ocurrir después de unos cuantos usos.

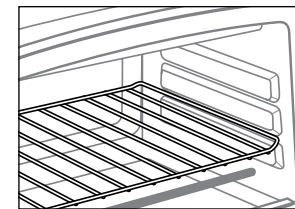
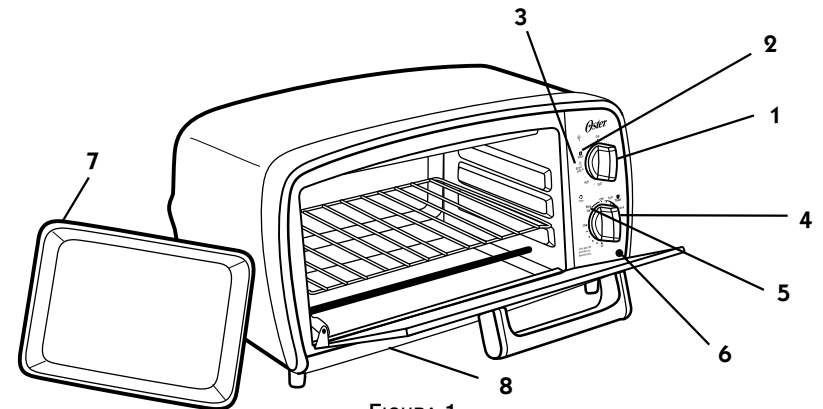
BIENVENIDO

¡Felicitaciones por su compra de un horno de mostrador OSTER®! Si usted necesita servicio para su horno de mostrador OSTER®, no lo devuelva al lugar de compra. Contáctenos en www.oster.com o 1.800.334.0759.

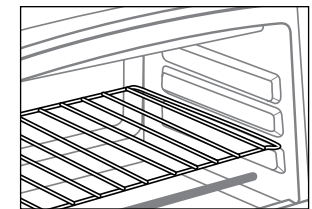
CARACTERÍSTICAS DE SU HORNO DE MOSTRADOR

(Véase la Figura 1)

- | | |
|--|-----------------------------------|
| 1. Disco de Control de Temperatura | 5. Opción de Encendido Permanente |
| 2. Posición para Tostar | 6. Luz Indicadora |
| 3. Posición para Asar | 7. Bandeja para Hornear |
| 4. Cronómetro de 15 Minutos / Control del Nivel de Tostado | 8. Bandeja de Migas |



REPISA EN POSICIÓN DE
"BAKE" (HORNEADO)



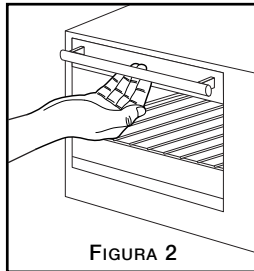
REPISA EN POSICIÓN DE
"BROIL/TOAST" (DORAR/TOSTAR)

INSTRUCCIONES DE OPERACIÓN

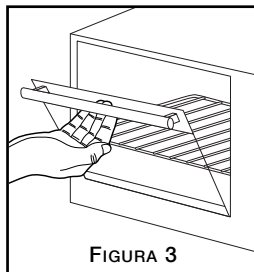
Su Horno de Mostrador/Asador Oster® está equipado con todas las opciones de un horno de tamaño completo; hace tostadas, hornea y asa. **NOTA:** Durante el uso inicial usted puede detectar un leve olor y/o humo. Gire la temperatura al máximo y déjela funcionar por aproximadamente 5 minutos.

PARA ABRIR LA PUERTA DEL HORNO DE MOSTRADOR:

Paso 1. Agarre el centro de la manija con las yemas de los dedos (Véase la Figura 2).



Paso 2. Hale con cuidado hacia abajo la puerta del horno de mostrador (Véase la Figura 3).



PRECAUCIÓN: Este artefacto genera calor durante su uso. No toque las superficies calientes. Utilice siempre las asas o perillas en base a las instrucciones anteriores.

CÓMO TOSTAR

1. Coloque la repisa de alambre en la posición “Broil/Toast” (Dorar/Tostar). Coloque la comida en la repisa.
2. Gire el disco de la función a “Toast” (Tostar).
3. Rote el disco de control del color de tostado en dirección de las manecillas del reloj pasando 10 minutos y luego regrese al nivel deseado de color de tostado.

IMPORTANTE

Cuando se selecciona un tostado claro, medio (ajuste entre claro y oscuro) y oscuro, siempre gire el cronómetro por encima de 10 minutos y luego gire volviendo a la posición Oscuro, Medio o Claro. Esto garantiza que el cronómetro funcione correctamente y de manera segura. Cuando el ciclo de tostado haya terminado, la campana sonará y el horno se apagará de manera automática. Para detener el ciclo en cualquier momento, gire el cronómetro en contra de las manecillas del reloj hasta la posición “Apagado” (Off) hasta que escuche la campana.

En este ciclo, funcionan tanto las resistencias superiores e inferiores, sin embargo, es posible que éstas no se vean incandescentes. Tenga en cuenta que esto es normal y que funcionan de manera correcta.

HORNEO

1. Ponga los alimentos en la bandeja para hornear y después coloque la bandeja encima de la Repisa de Alambre en el horno. Cierre la puerta del horno.

NOTA: Sugerimos que precaliente siempre el horno en esta graduación de “Hornear” antes de poner los alimentos adentro.

2. Gire el disco de control de temperatura a la temperatura deseada.
3. El cronómetro de 15 minutos / control del nivel de tostado es el Interruptor de Encendido.
4. Después de rotar el disco de control de temperatura a su temperatura deseada, seleccione las opciones encontradas en el cronómetro de 15 minutos / control del nivel de tostado.

Para raciones que requieran de menor tiempo de tostado, gire el cronómetro en el sentido de las manecillas del reloj (hasta 30 min.).

Al sonar la campana, la función de horneado se apagará de manera automática.

– O –

Para periodos de horneado mayores, gire el cronómetro en contra de las manecillas del reloj hasta la posición “Encendido Permanente” (Stay On). El horneado continuará hasta que el cronómetro se lleve manualmente hasta la posición “Apagado” (Off), y luego sonará la campana.

Durante este ciclo, funcionan tanto las resistencias superiores como las inferiores.

NOTA: Supervise siempre los alimentos en esta graduación para asegurarse de que no se estén sobre-cocinando. No use bolsas plásticas de horneado o de papel de cocina en el horno de mostrador.

ASAR – DORADO ARRIBA

1. Ponga los alimentos en la bandeja para hornear y coloque la bandeja encima de la Repisa de Alambre en el horno. Cierre la puerta del horno.
2. Rote el disco de control de temperatura a la derecha hasta la posición “Broil.”
3. El cronómetro de 15 minutos / control del nivel de tostado es el interruptor de encendido. Después de rotar el disco de control de temperatura a la posición “Broil”, seleccione el Dial cronómetro de 15 minutos / control del nivel de tostado con las siguientes opciones.

Para raciones que requieran un tiempo para asar corto, gire el cronómetro en el sentido de las manecillas del reloj (hasta 30 min.). Al escuchar la campana, la función de asado se apagará de manera automática.

– O –

Para un tiempo de asado mayor, gire el cronómetro en contra de las manecillas del reloj hasta la posición “Encendido Permanente” (Stay On). El asado continuará hasta que el cronómetro se lleve manualmente a la posición “Apagado” (Off) y luego sonará la campana. En este ciclo, sólo funciona la resistencia superior, sin embargo, es posible que no se vea incandescente. Tenga en cuenta que esto es normal y que funciona de manera correcta.

NOTA: Supervise siempre los alimentos en esta graduación para asegurarse de que no se estén sobre-cocinando. Sugerimos usar el cronómetro de 15 minutos / control del nivel de tostado ya que los alimentos pueden quemarse rápidamente en esta graduación. Al asar, voltee los alimentos para que se cocinen parejo. Los alimentos no se deben poner directamente sobre la repisa de alambre. Para el Dorado Arriba simplemente ase por el **NOTA:** No precaliente, No permita que el papel de aluminio toque a los elementos de calentamiento. Deje una pulgada de separación entre el elemento de calentamiento y los alimentos.

CUIDADO Y LIMPIEZA

PRECAUCIÓN: ¡NO LO SUMERJA EN AGUA!

No sumerja el horno en ningún líquido. Limpie el horno con una tela húmeda y luego seque. Antes de utilizar su Horno de Mostrador/Asador Oster® lave todos los accesorios no eléctricos, y la repisa de alambre junto con la bandeja para hornear en agua caliente con detergente o jabón. Asegúrese siempre de que el electrodoméstico esté desconectado y frío antes de limpiarlo.

Este artefacto no cuenta con piezas reparables por el usuario. Cualquier servicio más allá de lo descrito en la Sección de Limpieza debe ser realizado solamente por un Representante de Servicio Autorizado. Refiérase a la sección de Garantía.

LIMPIEZA DE LA REPISA DE ALAMBRE

La repisa de alambre se puede quitar para una limpieza fácil. Abra la puerta del horno e incline hacia arriba levemente, tire de la repisa de alambre hacia usted hasta que se deslice hacia fuera totalmente. Una vez que quite la repisa, limpie el interior con una tela húmeda. Para reemplazar la repisa del alambre, abra la puerta del horno e incline hacia arriba levemente y deslice la repisa en los dos surcos de repisa a ambos lados del compartimiento del horno, empuje derecho hasta el fondo del compartimiento. El exterior se puede limpiar con una tela húmeda. Recuerde, no sumerja el horno de mostrador en agua o en ningún otro líquido. **NO LIMPIE LOS ELEMENTOS DE CALENTAMIENTO** – Son de auto-limpiado.

LIMPIEZA DE LA PARTE BAJA DE LA BANDEJA DE MIGAS

Este electrodoméstico tiene una bandeja de migas desmontable en el fondo del compartimiento de horneado. Primero, desconecte el electrodoméstico y permita que se enfríe. Para limpiar las migas, sólo levante la bandeja de migas y retírela del Horno de Mostrador/Asador.

NO UTILICE el lavavajillas para limpiar ningún accesorio que venga incluido con estos productos.

NO UTILICE ningún producto de limpieza abrasivo.

PARA PREVENIR EL DAÑO DE LA SUPERFICIE DE APOYO, EL HORNO DE MOSTRADOR/ASADOR DEBE OPERAR CON LA BANDEJA DE MIGAS EN SU LUGAR Y LIBRE DE RESTOS DE COMIDA EN EXCESO. NUNCA UTILICE SU HORNO DE MOSTRADOR/ASADOR CON LA PUERTA DEL HORNO ABIERTA.

Español-6

Garantía Limitada de 1 Año

Sunbeam Products, Inc., o en Canadá, Sunbeam Corporation (Canada) Limited, (en forma conjunta, “Sunbeam”), garantiza que por un período de un año a partir de la fecha de compra, este producto estará libre de defectos de materiales y mano de obra. Sunbeam, a su elección, reparará o reemplazará este producto o cualquier componente del mismo que presente defectos durante el período de garantía. El reemplazo se realizará por un producto o componente nuevo o reparado. Si el producto ya no estuviera disponible, se lo reemplazará por un producto similar de valor igual o superior. Ésta es su garantía exclusiva. No intente reparar o ajustar ninguna función eléctrica o mecánica de este producto. Al hacerlo eliminará ésta garantía.

La garantía es válida para el comprador minorista original a partir de la fecha de compra inicial y la misma no es transferible. Conserve el recibo de compra original. Para solicitar servicio en garantía se requiere presentar un recibo de compra. Los agentes y centros de servicio de Sunbeam o las tiendas minoristas que venden productos de Sunbeam no tienen derecho a alterar, modificar ni cambiar de ningún otro modo los términos y las condiciones de esta garantía.

Esta garantía no cubre el desgaste normal de las piezas ni los daños que se produzcan como resultado de uso negligente o mal uso del producto, uso de voltaje incorrecto o corriente inapropiada, uso contrario a las instrucciones operativas, y desarme, reparación o alteración por parte de un tercero ajeno a Sunbeam o a un Centro de Servicio autorizado por Sunbeam. Asimismo, la garantía no cubre actos fortuitos tales como incendios, inundaciones, huracanes y tornados.

¿Cuál es el límite de responsabilidad de Sunbeam?

Sunbeam no será responsable de daños incidentales o emergentes causados por el incumplimiento de alguna garantía o condición expresa, implícita o legal.

Excepto en la medida en que lo prohíba la ley aplicable, cualquier garantía o condición implícita de comerciabilidad o aptitud para un fin determinado se limita, en cuanto a su duración, al plazo de la garantía antes mencionada.

Sunbeam queda exenta de toda otra garantías, condiciones o manifestaciones, expresa, implícita, legal o de cualquier otra naturaleza.

Sunbeam no será responsable de ningún tipo de daño que resulte de la compra, uso o mal uso del producto, o por la imposibilidad de usar el producto, incluidos los daños incidentales, especiales, emergentes o similares, o la pérdida de ganancias, ni de ningún incumplimiento contractual, sea de una obligación esencial o de otra naturaleza, ni de ningún reclamo iniciado contra el comprador por un tercero.

Algunas provincias, estados o jurisdicciones no permiten la exclusión o limitación de los daños incidentales o emergentes ni las limitaciones a la duración de las garantías implícitas, de modo que es posible que la exclusión o las limitaciones antes mencionadas no se apliquen en su caso.

Esta garantía le otorga derechos legales específicos y es posible que usted tenga otros derechos que varían de un estado, provincia o jurisdicción a otro.

Cómo solicitar el servicio en garantía

En los Estados Unidos

Si tiene alguna pregunta sobre esta garantía o desea recibir servicio de garantía, llame al 1.800.334.0759 y podrá obtener la dirección del centro de servicio que le resulte más conveniente.

En Canadá

Si tiene alguna pregunta sobre esta garantía o desea recibir servicio de garantía, llame al 1.800.667.8623 y podrá obtener la dirección del centro de servicio que le resulte más conveniente.

En los Estados Unidos, esta garantía es ofrecida por Sunbeam Products, Inc., Boca Ratón, Florida 33431. En Canadá, esta garantía es ofrecida por Sunbeam Corporation (Canada) Limited, 20 B Hereford Street, Brampton, Ontario L6Y 0M1. Si usted tiene otro problema o reclamo en conexión con este producto, por favor escriba al Departamento de Servicio al Consumidor.

POR FAVOR NO DEVUELVA ESTE PRODUCTO A NINGUNA DE ESTAS DIRECCIONES NI AL LUGAR DE COMPRA.

Español-7